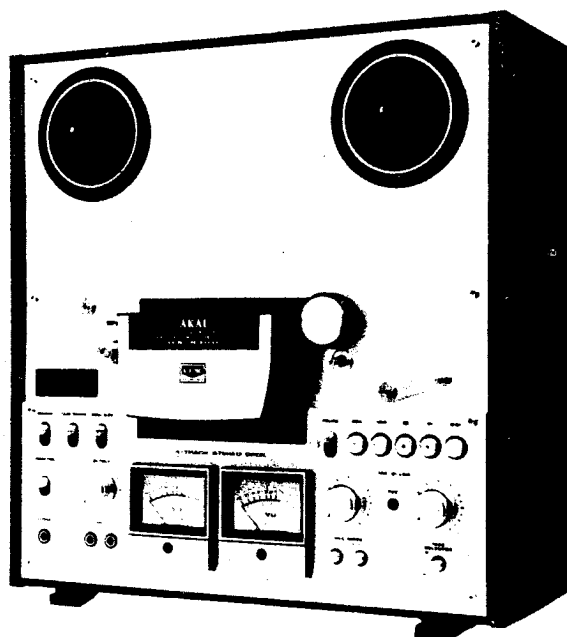


SERVICE MANUAL
PARTS LIST 
AKAI STEREO TAPE DECK
MODEL GX-630D
ALSO APPLICABLE TO MODEL GX-630DB

GX-630D



AKAI STEREO TAPE DECK

MODEL GX-630D

ALSO APPLICABLE TO MODEL GX-630DB STEREO TAPE DECK

| | | |
|-----------|----------------------|----|
| SECTION 1 | SERVICE MANUAL | 1 |
| SECTION 2 | PARTS LIST | 25 |

SECTION 1

SERVICE MANUAL

TABLE OF CONTENTS

| | | |
|-------|---|----|
| I. | SPECIFICATIONS | 2 |
| II. | DISMANTLING OF UNIT | 4 |
| III. | ARRANGEMENT OF PRINCIPAL PARTS | 5 |
| IV. | MECHANISM ADJUSTMENT | 6 |
| | 1. POSITION ADJUSTMENT OF BRAKE SOLENOID SL-2 | 6 |
| | 2. BRAKE TENSION ADJUSTMENT | 6 |
| | 3. POSITION ADJUSTMENT OF PINCH ROLLER SOLENOID SL-1 | 7 |
| | 4. PINCH ROLLER PRESSURE ADJUSTMENT | 7 |
| | 5. CAPSTAN SHAFT LOOSE PLAY ADJUSTMENT | 7 |
| | 6. IMPEDANCE ROLLER LOOSE PLAY ADJUSTMENT | 7 |
| | 7. TAPE GUIDE HEIGHT ADJUSTMENT | 8 |
| | 8. REEL TABLE HEIGHT ADJUSTMENT | 9 |
| | 9. INSTALLATION POSITION ADJUSTMENT OF JOINT B | 9 |
| V. | HEAD ADJUSTMENT | 10 |
| VI. | AMPLIFIER SYSTEM ADJUSTMENT | 12 |
| | 1. D.C POWER SUPPLY VOLTAGE ADJUSTMENT | 12 |
| | 2. TAPE SPEED ADJUSTMENT | 12 |
| | 3. RECORDING AND PLAYBACK AMPLIFIER ADJUSTMENT (GX-630D) | 13 |
| | 4. RECORDING AND PLAYBACK AMPLIFIER ADJUSTMENT (GX-630DB) | 14 |
| | 5. DOLBY NOISE REDUCTION ADJUSTMENT (GX-630DB) | 15 |
| VII. | D.C RESISTANCE OF VARIOUS COILS | 16 |
| VIII. | CLASSIFICATIONS OF VARIOUS P.C BOARDS | 17 |
| | 1. P.C BOARD INTERCHANGEABILITY CHART | 17 |
| | 2. COMPOSITE VIEWS OF VARIOUS P.C BOARD | 17 |

For basic adjustments, measuring methods, and operating principles, refer to GENERAL OPERATING PRINCIPLES AND ADJUSTMENTS.

I SPECIFICATIONS

An asterisk next to a figure indicates the minimum guaranteed performance.

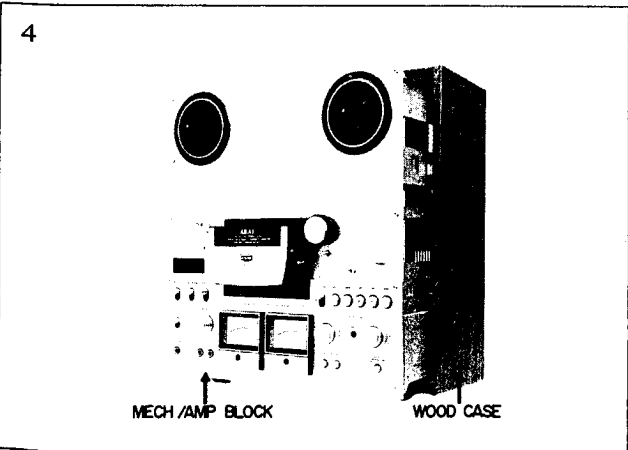
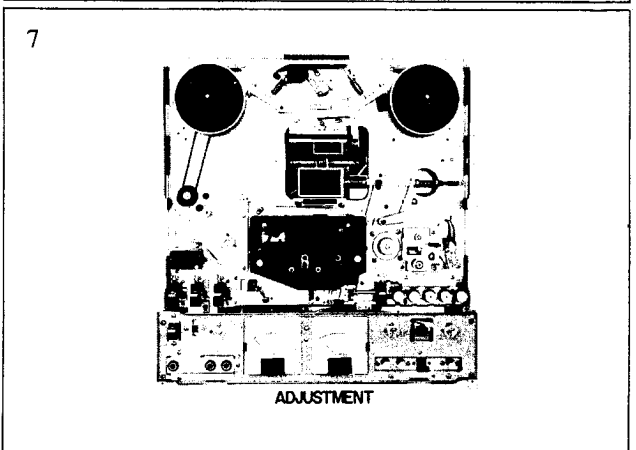
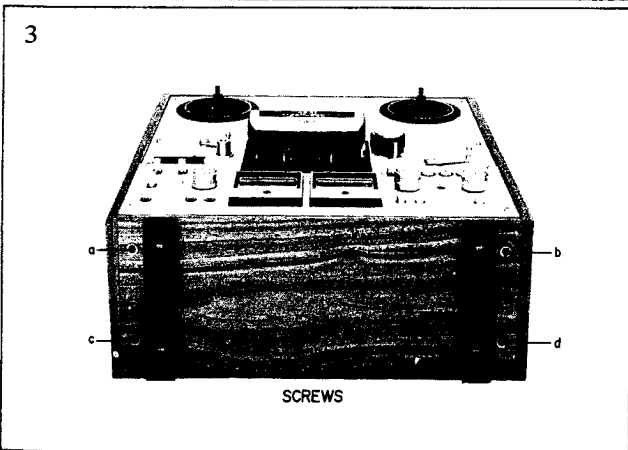
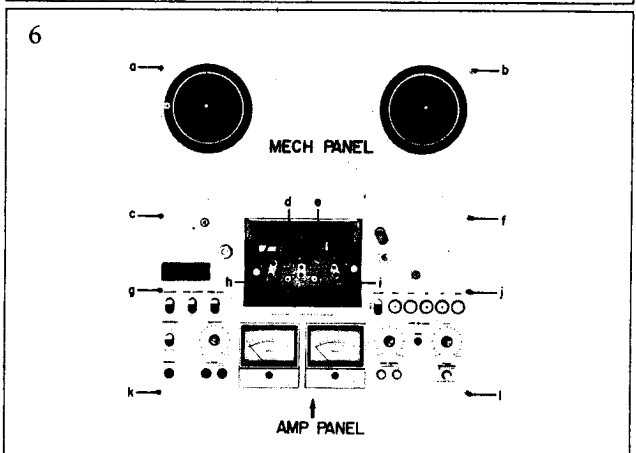
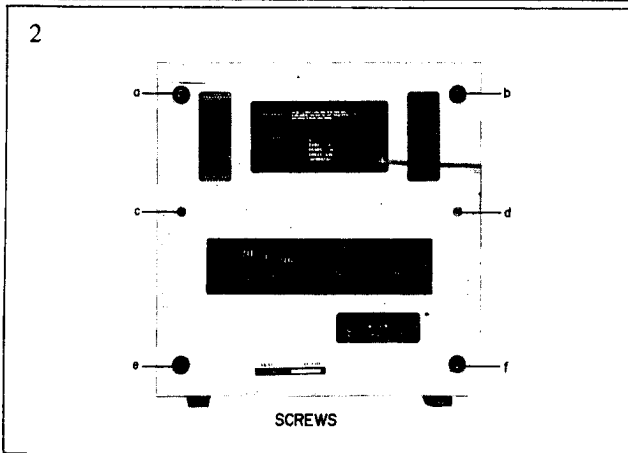
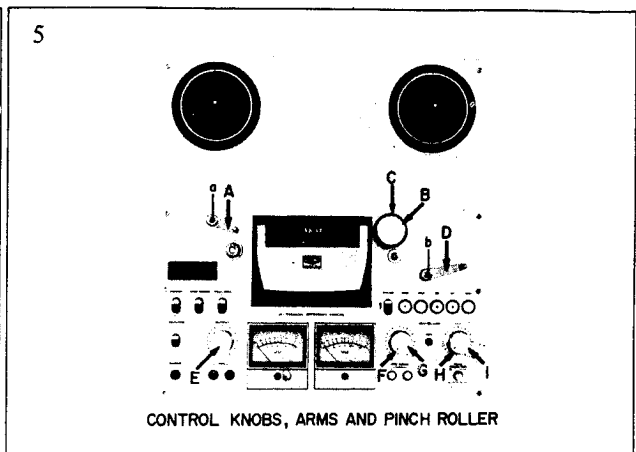
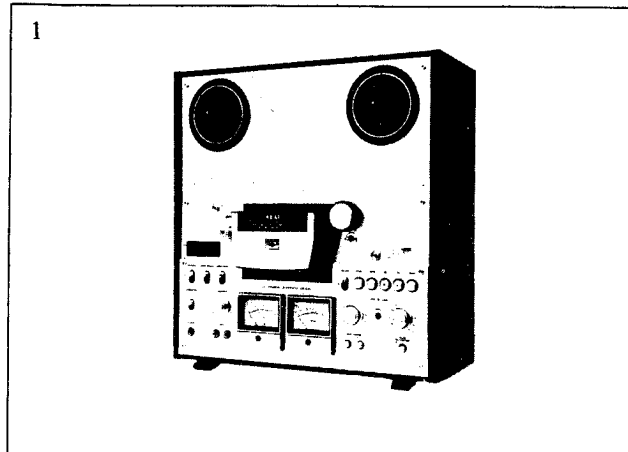
| | | |
|-----------------------------|---|--|
| TRACK SYSTEM | | 4 track 2 channel stereo/monaural system |
| TEPE SPEED | | 7-1/2 and 3-3/4 ips $\pm 0.7\%$ *7-1/2 and 3-3/4 ips $+1.0/-1.5\%$ |
| WOW AND FLUTTER | | Less than 0.06% WRMS at 7-1/2 ips Less than 0.09% WRMS at 3-3/4 ips *Less than 0.10% RMS at 7-1/2 ips *Less than 0.15% RMS at 3-3/4 ips |
| TOTAL WOW AND FLUTTER | | *Less than 0.12% RMS at 7-1/2 ips *Less than 0.18% RMS at 3-3/4 ips |
| FREQUENCY RESPONSE | | 30 to 25,000 Hz ± 3 dB at 7-1/2 ips 30 to 19,000 Hz ± 3 dB at 3-3/4 ips (with AKAI LN-150-7 Tape) *30 to 22,000 Hz ± 3 dB at 7-1/2 ips *30 to 18,000 Hz ± 3 dB at 3-3/4 ips |
| HARMONIC DISTORTION | | Less than 0.5% |
| TOTAL HARMONIC DISTORTION | | *Less than 1.5% |
| SIGNAL TO NOISF RATIO | | Better than 50 dB |
| TOTAL SIGNAL TO NOISE RATIO | | *Better than 47 dB |
| OUTPUT | LINE HEADPHONE | *0.775V (0 dBm ± 1.0 dB) 30 mV at 8 ohm At playback of a 700 Hz "0" VU pre-recorded test tape. (Output Volume at maximum) |
| INPUT | MIC LINE | More than 0.25 mV/10 k ohm More than 70 mV/150 k ohm At "0" VU output. (Recording Volume at maximum) |
| DIN INPUT/OUTPUT | | 0.25 mV/0.5V |
| RECORDING/PLAYBACK LEVEL | | *0.775V (0 dBm ± 1.5 dB) |
| CROSS TALK | | Better than 45 dB, stereo Better than 55 dB, monaural |
| ERASE RATIO | | Better than 70 dB |
| RECORDING BIAS FREQUENCY | | 100 kHz $\pm 5\%$ |
| BIAS LEAK | | Better than -30 dB (GX-630D) Better than -50 dB (GX-630DB) |
| HIGH FREQUENCY DEVIATION | | Within 3 dB At playback of an 8,000 Hz 3-3/4 ips pre-recorded tape at 7-1/2 ips |
| RECORDING TIME | | 180 min stereo recording at 7-1/2 ips, using a 3,600 ft tape. |
| F.FWD AND RWD TIME | | Approximately 2 min and 40 sec at 50 Hz, using a 3,600 ft tape. |
| MOTOR | MAIN MOTOR REEL MOTOR | 2 speed AC servo control outer rotor motor Type: SCM2-24KJ 4 pole Revolutions: 615 rpm at 7-1/2 ips (19 cm/sec) 307.5 rpm at 3-3/4 ips (9.5 cm/sec) 6 pole eddy current outer-rotor motor Type: 24XO-TD Revolutions: 930 rpm at 50 Hz 1,120 rpm at 60 Hz |
| HEAD | ERASE HEAD RECORDING HEAD PLAYBACK HEAD | Type: E4-260 Gap: double gap Impedance: 210 ohm $\pm 10\%$ at 100 kHz D.C Resistance: 2 ohm Type: R4-200 Gap: 4 micron Impedance: 1,870 ohm at 100 kHz D.C Resistance: 8 ohm Type: P4-202 Gap: 1.7 ± 0.5 micron Impedance: 1,400 ohm at 1 kHz D.C Resistance: 268 ohm |

| | | |
|-----------------------------------|--|---|
| TRANSISTOR & FET | 2SA564(Q)(R) ... 1(5) 2SC458(C) ... 0(12) 2SC458LG(C) ... 16(32) 2SC711(F)(G) ... 2(2) 2SC945L(Q)(P) ... 22(22) | 2SC1247A(B)(V) ... 2(2) 2SD361(D ₁)(D ₂) ... 1(1) TIP47 ... 1(1) 2SK30A(GR) ... 0(4) |
| DIODE | 1N34A ... 2(6) 1N4001 ... 4(4) 1N4004 ... 6(6) 1S1588 ... 1(1) 1S2473 ... 21(21) 1S2473VE ... 16(28) | 10D2 ... 4(4) WZ075 ... 2(2) WZ085 ... 0(4) WZ192 ... 1(1) RD5A(M) ... 1(1) |
| POWER REQUIREMENT AND CONSUMPTION | 100 to 240V AC 50/60 Hz, 90W (Universal Models) 220V AC 50 Hz, 100W (CEE Models) 120V AC 60 Hz, 90W (CSA Models) 100V AC 50/60 Hz, 70W (JPN Models) | |
| DIMENSIONS | 465(H) x 440(W) x 240(D) mm (18.3" x 17.4" x 9.4") Dimensions include all protruding parts. | |
| WEIGHT | GX-630D: 19 kg (41.8 lbs) GX-630DB: 19.5 kg (42.9 lbs) | |

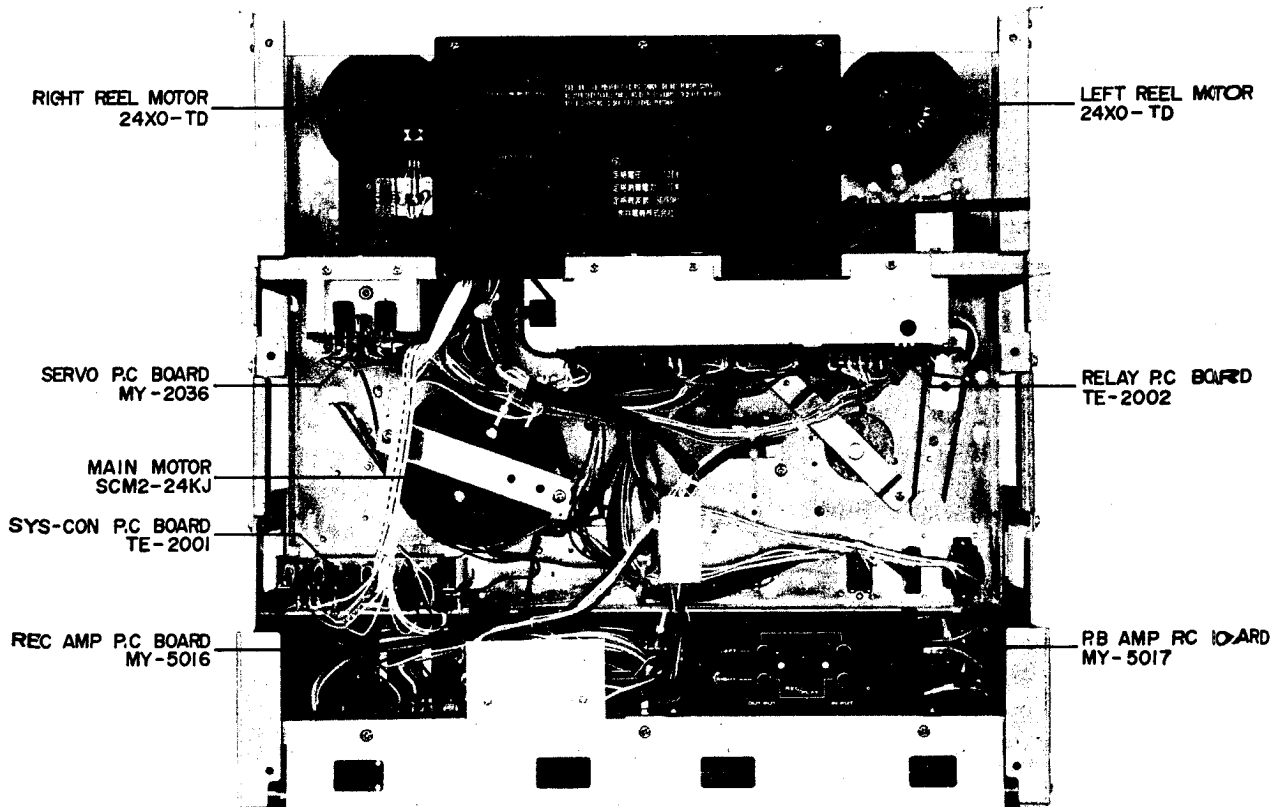
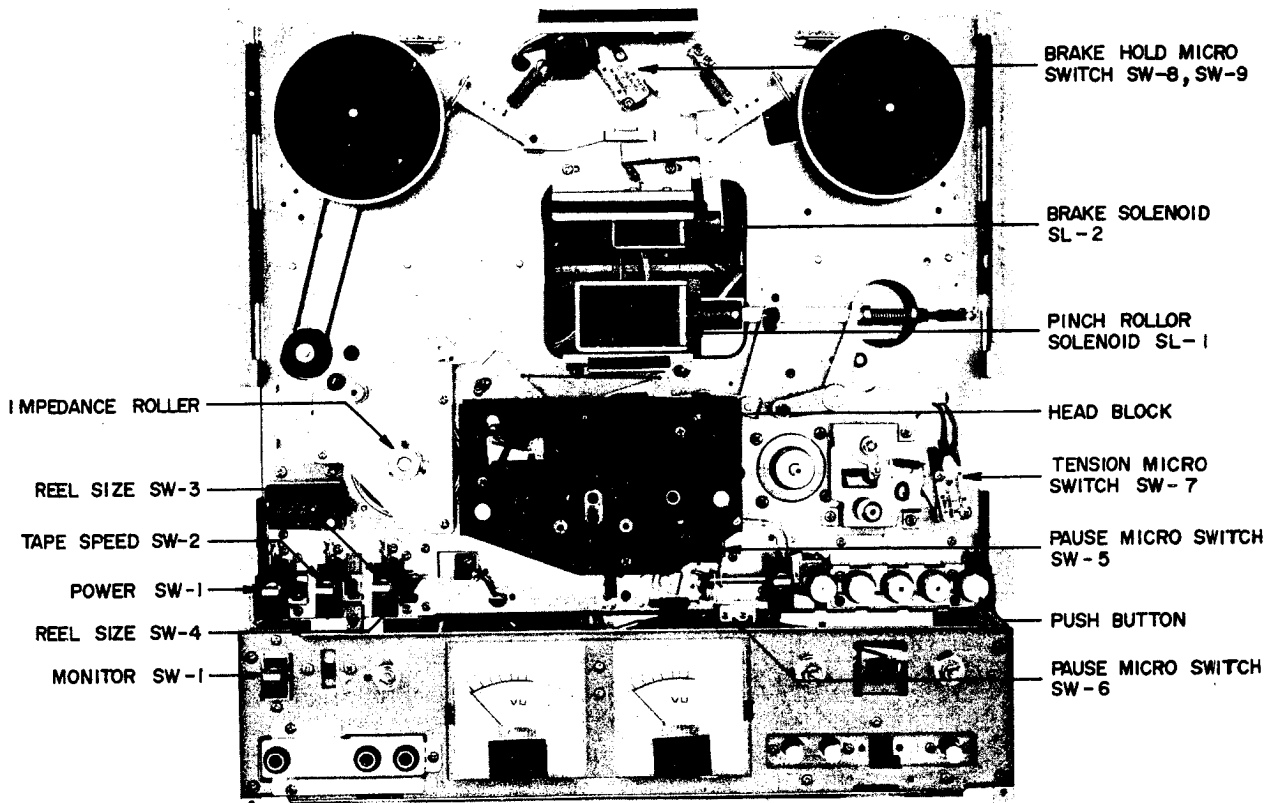
- NOTES:**
1. Specifications determined with SCOTCH #211 Tape unless otherwise noted.
 2. Specifications subject to change without notice.
 3. The numbers shown in parentheses in Items TRANSISTOR & FET and DIODE are applicable to Model GX-630DB.

II DISMANTLING OF UNIT

In case of trouble, etc. necessitating disassembly, please disassemble in the order shown in photographs. Reassemble in reverse order.



III ARRANGEMENT OF PRINCIPAL PARTS



IV MECHANISM ADJUSTMENT

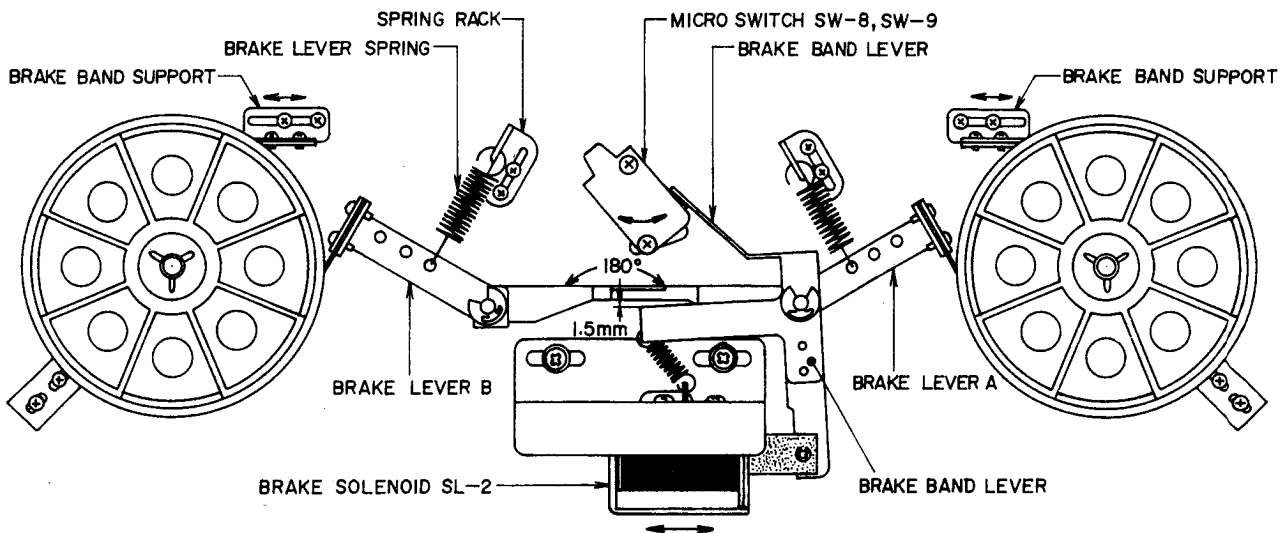


Fig. 1

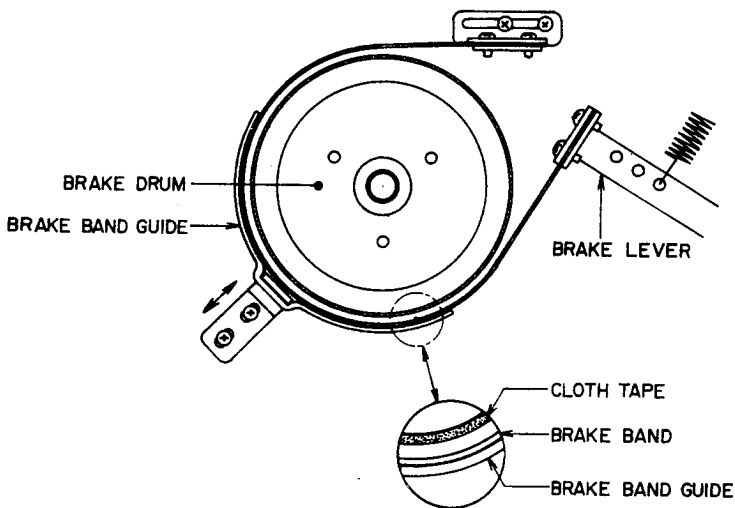


Fig. 2

1. POSITION ADJUSTMENT OF BRAKE SOLENOID SL-2 (Refer to Figs. 1, 2)

- 1) Adjust left/right Brake Band Support positions so that at stop mode, Brake Lever A and Brake Lever B display 180° angle relativity.
- 2) Under the conditions described in 1) above, adjust installation angle position of Microswitches SW-8 and SW-9 so that the clearance between the brake lever and brake band lever is 1.5 mm.
- 3) Adjust installation position of the Brake Solenoid so that at playback mode, the brake band separates from the brake drum.

2. BRAKE TENSION ADJUSTMENT (Refer to Figs. 1, 2)

- 1) Adjust installation position of the Spring Rack so that brake tension is 500g.
- 2) After brake tension adjustment, adjust installation position of the Brake Band Guide so that at all modes except stop mode, the brake band completely separates from the cloth tape on the brake drum.

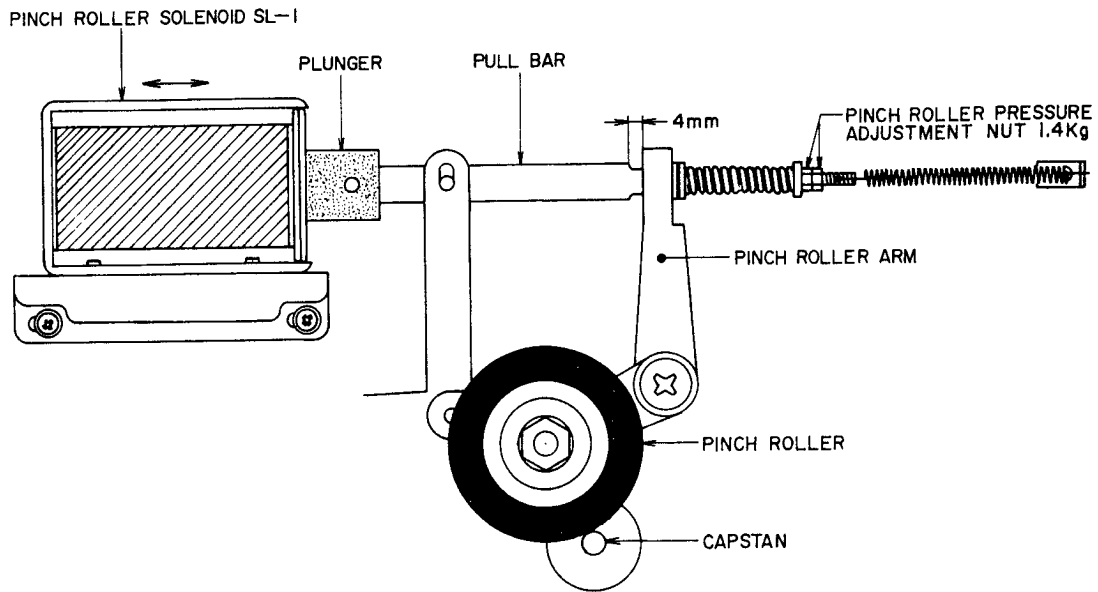


Fig. 3

3. POSITION ADJUSTMENT OF PINCH ROLLER SOLENOID SL-1 (Refer to Fig. 3)

- 1) Insert a 4 mm thickness gauge (A U type washer can be substituted) between the Pull Bar and Pinch Roller Arm.
- 2) Set the deck to playback mode, and fix Pinch Roller Solenoid at position at which pinch roller begins to rotate.

4. PINCH ROLLER PRESSURE ADJUSTMENT (Refer to Fig. 3)

Adjust Pinch Roller Pressure Adjustment Nut so that pinch roller pressure is 1.4 kg.

NOTE: To measure pinch roller pressure, pull the pinch roller away from capstan with a spring gauge and gently return. Spring Gauge indication, at the time the pinch roller contacts the capstan and the capstan begins to rotate, should be 1.4 kg.

5. CAPSTAN SHAFT LOOSE PLAY ADJUSTMENT (Refer to Fig. 4)

Adjust to obtain a clearance of 0.1 mm between the Capstan Shaft and Thrust Support Angle.

6. IMPEDANCE ROLLER LOOSE PLAY ADJUSTMENT (Refer to Fig. 5)

Adjust Screws A and B so that impedance roller loose play is 0.1 mm.

NOTE: Confirm that the screws are tight following this adjustment.

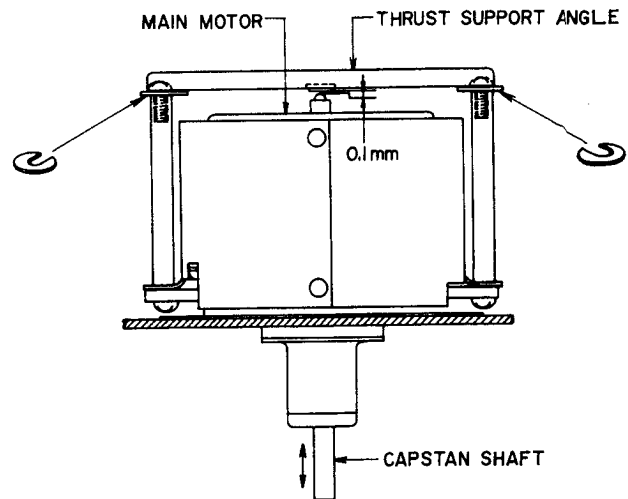


Fig. 4

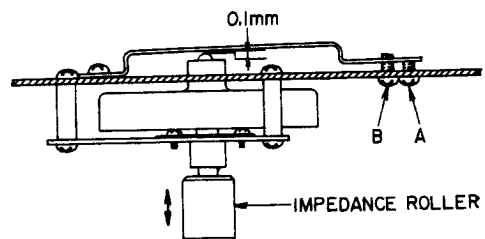
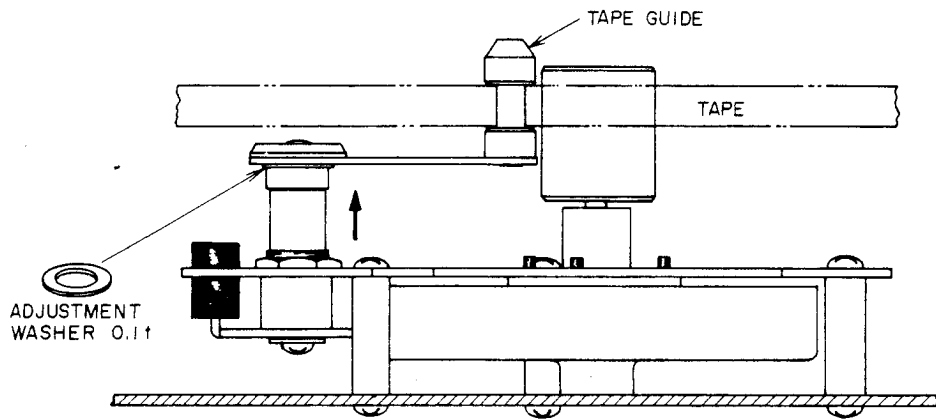
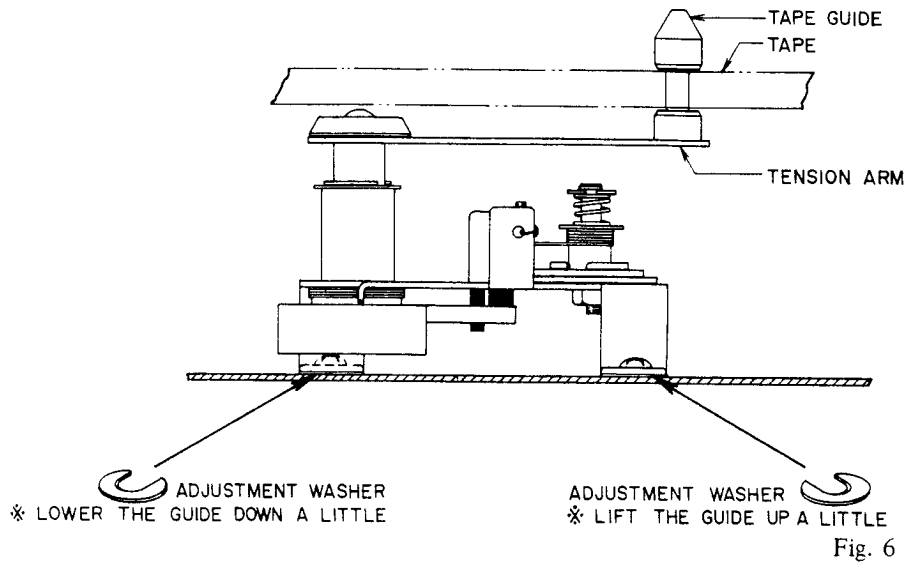


Fig. 5



7. TAPE GUIDE HEIGHT ADJUSTMENT (Refer to Figs. 6, 7)

Adjust tape guide height so that the tape does not curl between the tape guide and guides on head base.
 NOTE: As left and right tape guide height adjustment methods are different, be sure to refer to Figs. 6, and 7.

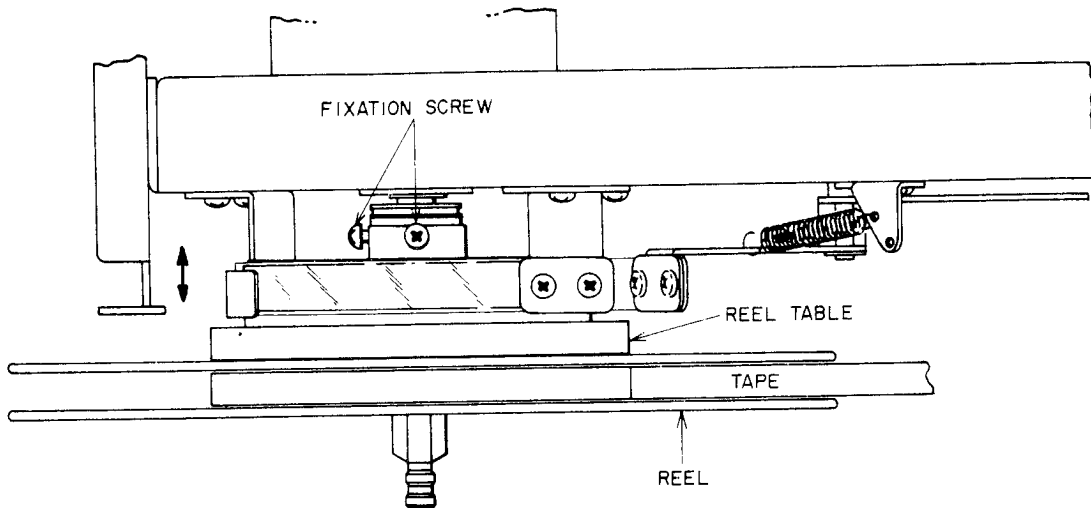


Fig. 8

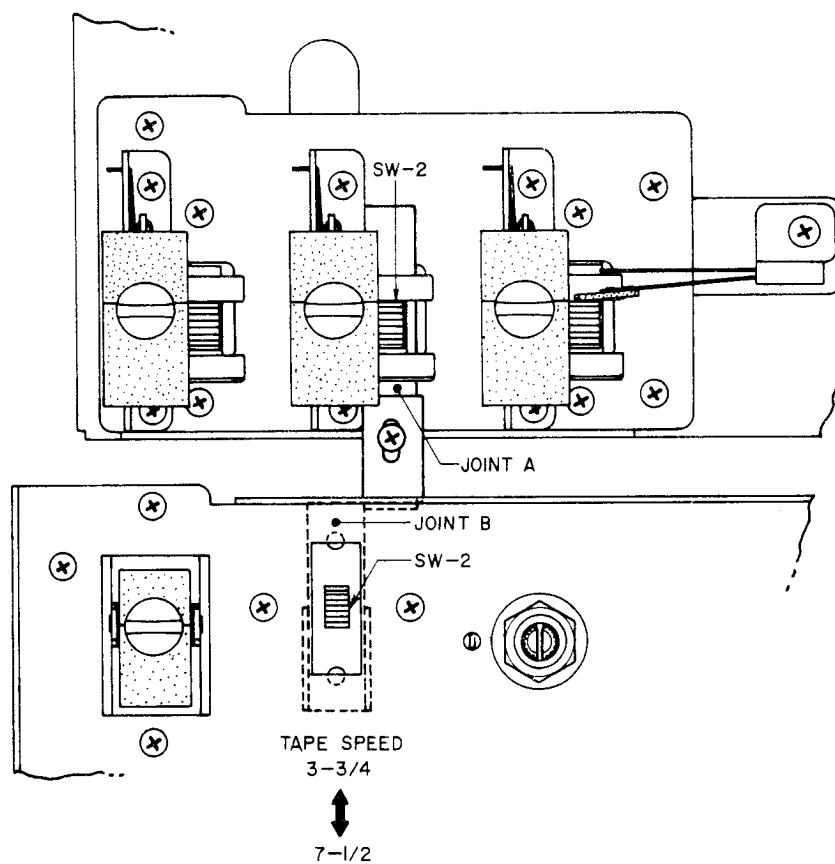


Fig. 9

8. REEL TABLE HEIGHT ADJUSTMENT (Refer to Fig. 8)

Load a tape and adjust reel table height so that at both F.FWD and RWD modes, the tape winds on the center of the reel hub.

NOTE: Tape should wind on center of reel hub regardless of type reel used.

9. INSTALLATION POSITION ADJUSTMENT OF JOINT B (Refer to Fig. 9)

Adjust installation position of Joint B so that when tape speed is changed, Slide Switch SW-2 and Equalizer Change Slide Switch SW-2 mounted on the amplifier front chassis display link-motion for proper switching.

V HEAD ADJUSTMENT

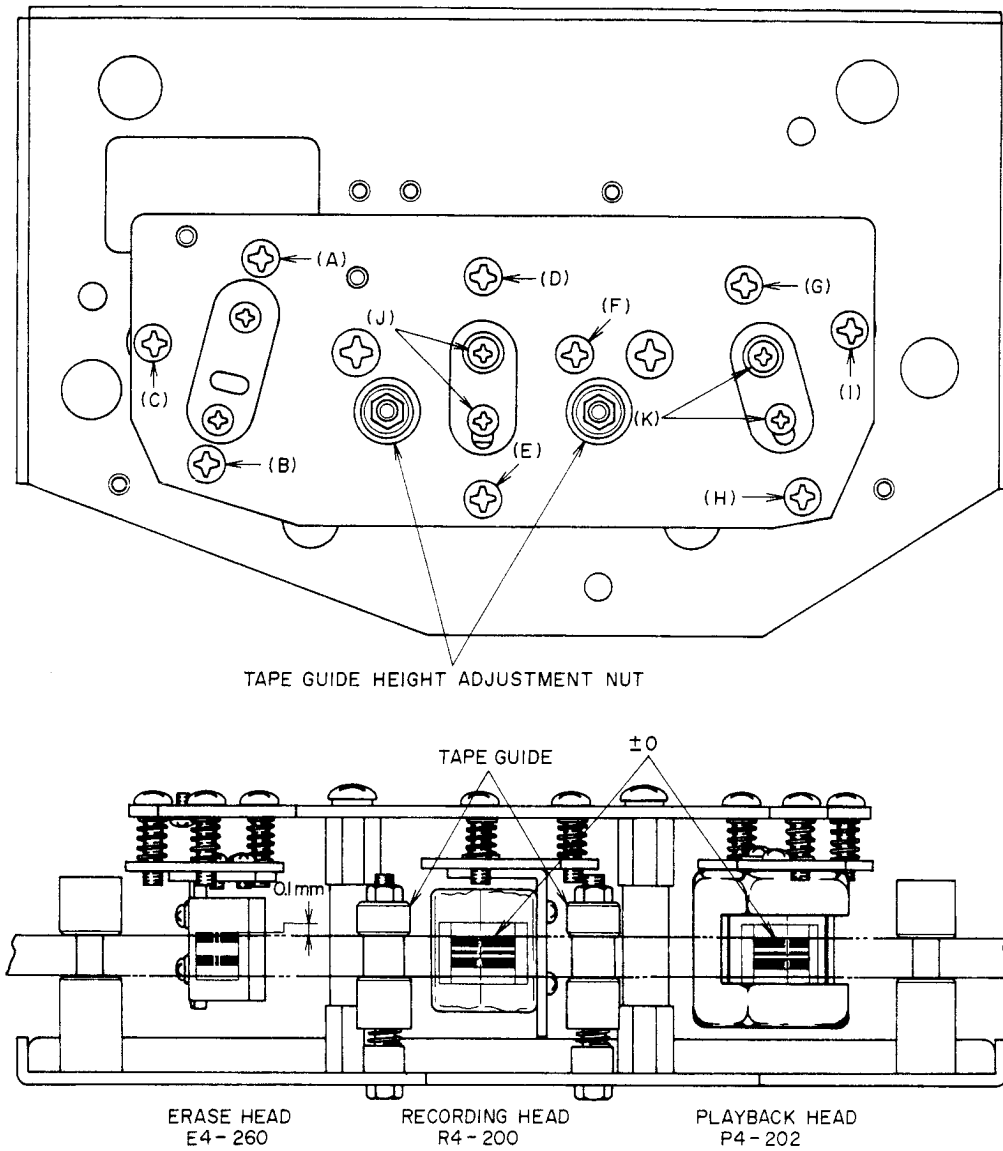


Fig. 10

- NOTES:**
1. As perfect head adjustments are vital to tape deck performance, be sure that these adjustments are carried out properly.
 2. Be careful not to use a magnetized driver or other magnetized tools in the vicinity of the heads.
 3. Use only new tape as level variation is likely to occur when using old tape.
 4. Demagnetize heads with head demagnetizer before and after head adjustment.
 5. Set tape speed to 7-1/2 ips except in steps 7 and 8.
 6. Refer to Fig. 10.

| Step | Adjustment Item | Test Tape Supply Signal | MODE | Adjustment Point | Remarks |
|------|---|---------------------------------------|------|----------------------------------|---|
| 1 | Tape Guide height Adjustment | Optional | PLAY | Tape Guide Height Adjustment Nut | Adjust so that tape does not twist between tape guides on head base. |
| 2 | Erase Head Height Adjustment | Optional | PLAY | (A)(B)(C) | Upper edge of channel 1 head core is 0.1 mm higher than upper edge of tape. |
| 3 | Recording Head Height Adjustment | Optional | PLAY | (D)(E)(F) | Upper edges of channel 1 head core and tape are the same height. |
| 4 | Playback Head Height Adjustment | Optional | PLAY | (G)(H)(I) | Upper edges of channel 1 head core and tape are the same height. |
| 5 | Playback Head Azimuth Alignment Adjustment | 8,000 Hz 3-3/4 ips Test Tape | PLAY | (I) | Maximum output, both channels. |
| 6 | Playback Head Gap Alignment Adjustment | 8,000 Hz 3-3/4 ips Test Tape | PLAY | (K) | Adjust head gap surface so that there is no change in output level when tension is applied to the supply reel side. |
| 7 | Recording Head Azimuth Alignment Adjustment | SCOTCH #211 Tape 15,000 Hz -20 dBm | REC | (F) | Maximum output, both channels. |
| 8 | Recording Head Gap Alignment Adjustment | SCOTCH #211 Tape 15,000 Hz -20 dBm | REC | (J) | Adjust head gap surface so that there is no change in output level when tension is applied to the supply reel side. |

Chart 1

VI AMPLIFIER SYSTEM ADJUSTMENT

1. D.C. POWER SUPPLY VOLTAGE ADJUSTMENT (Refer to Fig. 11)

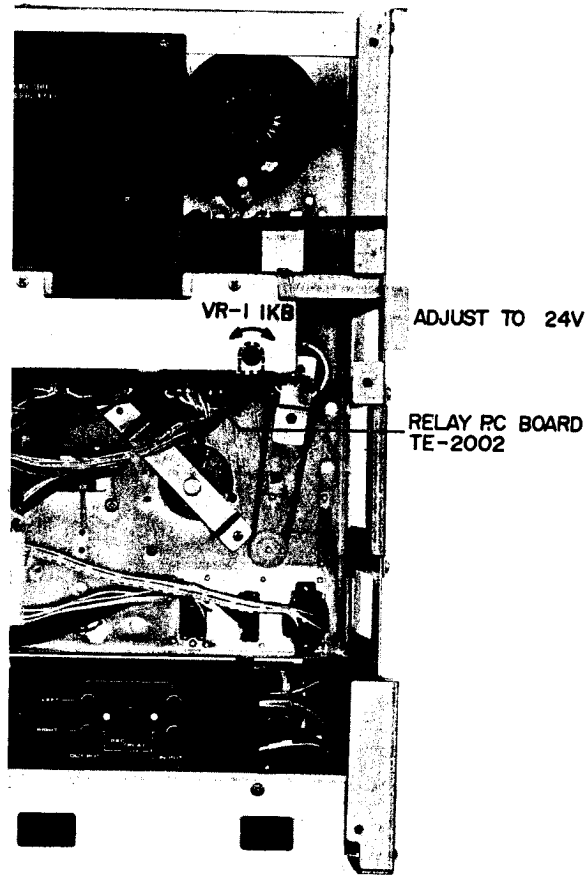


Fig. 11

2. TAPE SPEED ADJUSTMENT (Refer to Fig. 12)

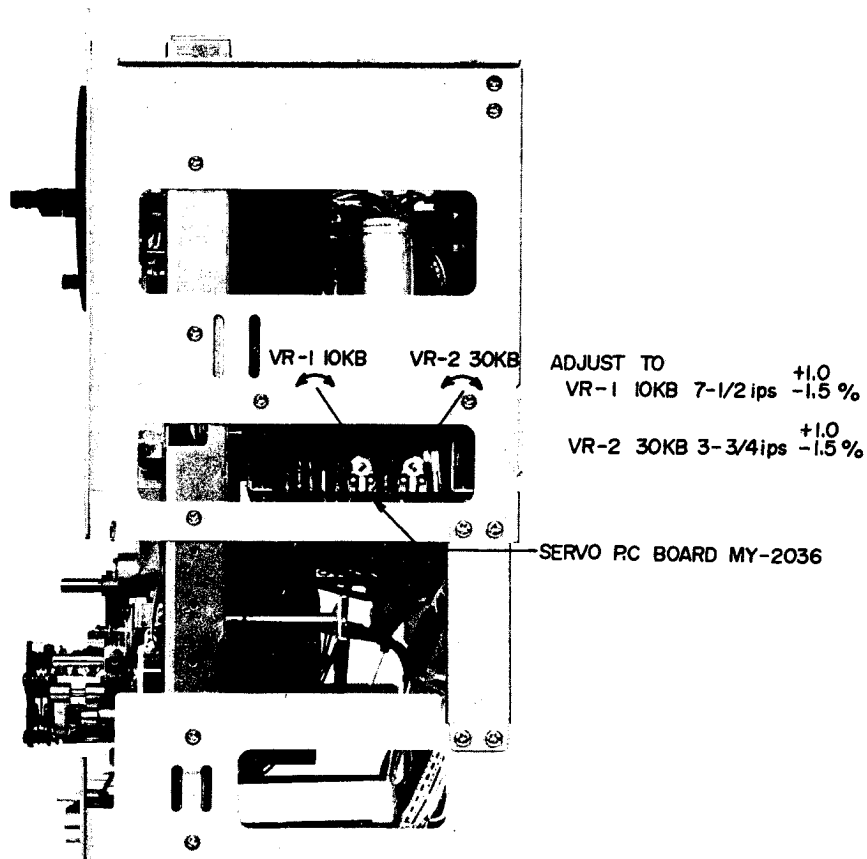


Fig. 12

3. RECORDING AND PLAYBACK AMPLIFIER ADJUSTMENT (Model GX-630D)
 (Refer to Fig. 13)

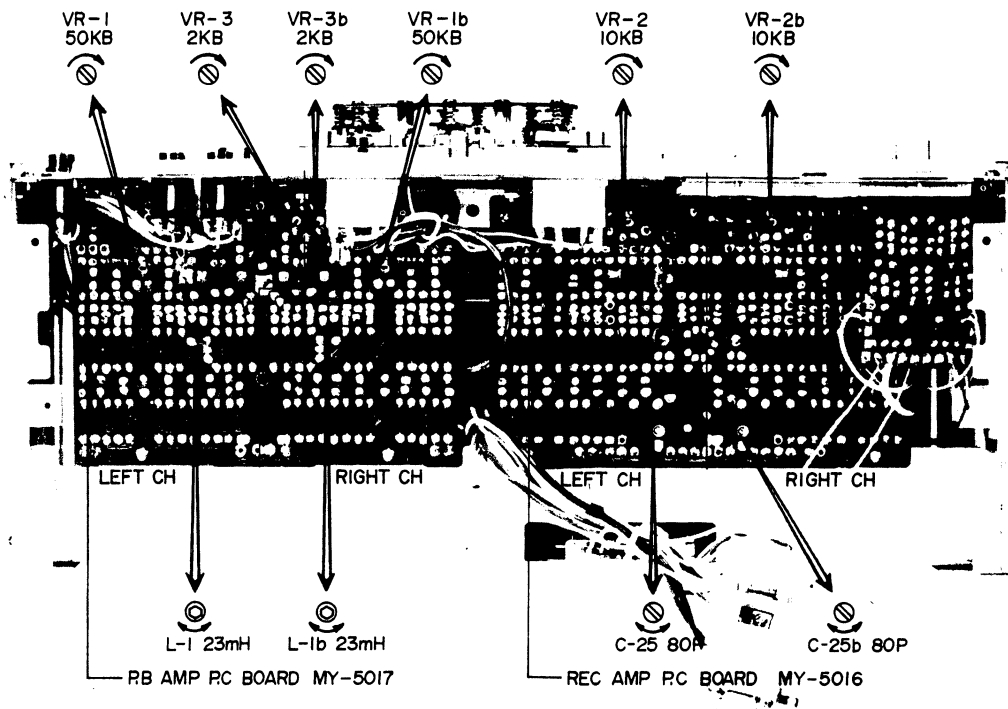


Fig. 13

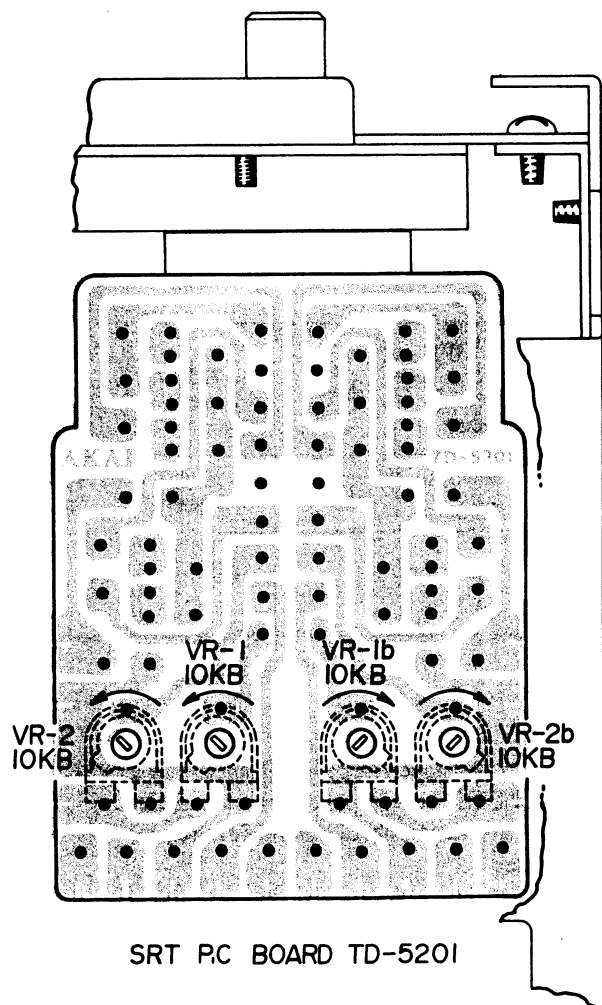


Fig. 14

| Step | Adjustment Item | Test Tape Supply Signal | Mode | Adjustment Point | Result | Remarks |
|------|---------------------------------|---|------|------------------|-------------------------------------|---|
| 1 | Playback Level Adjustment | 700 Hz 7-1/2 ips 0 VU Test Tape | PLAY | VR-1 50 kB | 0 ± 1.5 dB (0.775V) | |
| 2 | VU Meter Sensitivity Adjustment | 700 Hz 7-1/2 ips 0 VU Test Tape | PLAY | VR-3 2 kB | 0 VU | |
| 3 | Recording Level Adjustment | SCOTCH #211 Tape 1,000 Hz 0 VU recording | REC | VR-2 10 kB | 0 ± 1.5 dB (0.775V) | |
| 4 | Frequency Response Adjustment | SCOTCH #211 Tape 1,000 Hz 10,000 Hz -20 VU recording | REC | C-25 80P | 1,000 Hz to 10,000 Hz flat | Tape Speed 3-3/4 ips. Recheck recording level. |
| 5 | Bias Leak | | REC | L-1 23 mH | Less than -30 VU | Less than -20 VU at monaural. |

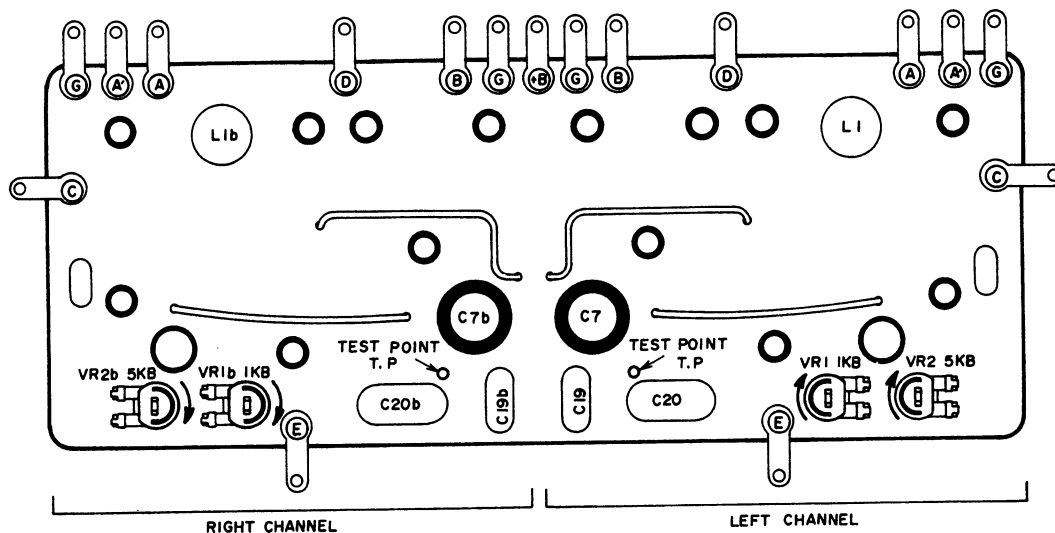
Chart 2

4. RECORDING AND PLAYBACK AMPLIFIER ADJUSTMENT (Model GX-630DB) (Refer to Figs. 13, 14)

| Step | Adjustment Item | Test Tape Supply Signal | Mode | Adjustment Point | Result | Remarks |
|------|---|---|------|------------------|-------------------------------------|---|
| 1 | Playback Level Adjustment | 700 Hz 7-1/2 ips 0 VU Test Tape | PLAY | VR-1 50 kB | 0 ± 1.0 dB (0.775V) | |
| 2 | VU Meter Sensitivity Adjustment | 700 Hz 7-1/2 ips 0 VU Test Tape | PLAY | VR-3 2 kB | 0 VU | |
| 3 | Recording Level Adjustment (Low Noise Tape) | SCOTCH #211 Tape 1,000 Hz 0 VU recording | REC | VR-1 10 kB | 0 ± 1.5 dB (0.775V) | |
| 4 | Recording Level Adjustment (Wide Range Tape) | AKAI LN-150-7 Tape 1,000 Hz 0 VU recording | REC | VR-2 10 kB | 0 ± 1.5 dB (0.775V) | |
| 5 | Frequency Response Adjustment | SCOTCH #211 Tape 1,000 Hz 10,000 Hz -20 VU recording | REC | C-25 80P | 1,000 Hz to 10,000 Hz flat | Tape Speed 3-3/4 ips. Recheck recording level. |
| 6 | Bias Leak | | REC | L-1 23 mH | Less than -50 VU | |
| 7 | Dolby Noise Reduction Adjustment | | | | | Refer to Item V-5 below. |

Chart 3

- NOTES: 1) Set tape speed to 3-3/4 ips for frequency response adjustment and to 7-1/2 ips for all other adjustments.
2) Set Tape Selector to "LOW NOISE" except where otherwise noted.
3) Set Monitor Switch to "TAPE" except where otherwise noted.
4) Output Volume at maximum.
5) New test tape should be used.
6) The letter b following an adjustment part number indicated "Right Channel".



DOLBY NR P.C BOARD TD-5301

Fig. 15

5. DOLBY NOISE REDUCTION ADJUSTMENT (Model GX-630DB) (Refer to Fig. 15)

NOTE: Identical P.C Boards are utilized for Recording Dolby N.R and Playback Dolby N.R. The Recording Dolby N.R P.C Board is located on the Recording Amp P.C Board and the Playback Dolby N.R P.C Board is located on the Playback Amp P.C Board, Adjust left and right channels respectively.

PART-1. RECORDING DOLBY N.R CIRCUIT ADJUSTMENT

Disconnect the wire connected to Dolby circuit input and output terminals (A) and (B). Connect an Audio frequency oscillator to terminal (A) and connect a High-sensitivity VTVM to terminal (B).

- 1) Turn semi-fixed resistors VR1 1kB and VR2 5 kB fully clockwise (Fig. 15).
- 2) Ground test points T.P (Fig. 15)
- 3) Set Dolby Switch to OFF position.
- 4) Supply a 5 kHz, -10 dBm signal which has been verified with a frequency counter from the audio frequency oscillator and confirm that at this time the indication of the high-sensitivity VTVM connected to terminal (B) is 0 dBm.
- 5) Reduce the output of the audio frequency oscillator by -30.5 dB from the condition outlined in item 1-4) (5 kHz, -40.5 dB) and at this time confirm that the indication of the high-sensitivity VTVM connected to terminal (B) is -30.5 dB.
- 6) Set Dolby Switch to ON position and adjust semi-fixed resistor VR1 1 kB to obtain a -20.5 dBm indication on the high-sensitivity VTVM connected terminal (B).
- 7) Disconnect ground wire from test point T.P (grounded in item 1-2) and at this time adjust semi-fixed resistor VR2 5 kB to obtain a -22.5 dBm indication on the high-sensitivity VTVM connected to terminal (B).

PART-2. PLAYBACK DOLBY N.R CIRCUIT ADJUSTMENT

This adjustment is carried out in essentially the same way as the recording Dolby circuit adjustment.

Disconnect the wire connected to input and output terminals(A') and (B), connect an audio frequency oscillator to terminal(A'), and connect a high-sensitivity VTVM to terminal(B). Turn semi-fixed resistor VR1 1 kB and VR2 5 kB fully clockwise, and ground test points T.P.

- 1) Set Dolby Switch to OFF position and supply a 5 kHz, 10 dBm signal which has been verified with a frequency counter from the audio frequency oscillator, Confirm that the high-sensitivity VTVM indication at this time is 0 dBm. Next, lower the oscillator output by -22.5 dB and confirm that the high-sensitivity VTVM indication is -22.5 dB.
- 2) Set Dolby Switch to ON position and at this time adjust semi-fixed resistor VR1 1 kB to obtain a -32.5 dB high-sensitivity VTVM indication. Next, disconnect ground wire from test points T.P and adjust semi-fixed resistor VR-2 5 kB to obtain a -30.5 dBm indication.

VII D.C RESISTANCE OF VARIOUS COILS

| Part | Designation | D.C Resistance |
|------------------------------|----------------|---|
| Main Motor | SCM2-24KJ | Between BLU-RED: 100 ohm Between YLW-GRN: 180 ohm Pick-up Coil: 635 ohm |
| Reel Motor | 24XO-TD | Between RED-BLU: 72 ohm Between YLW-GRN: 160 ohm |
| Pinch Roller Solenoid | 1660 THT3 | 700 ohm |
| Brake Solenoid | 1240 PHT3 | 900 ohm |
| Relay | MY4-02-US-24DC | 700 ohm |
| Relay | LC1-C-J1DC-24V | 1,150 ohm |
| Relay | TECK-36 | 1,000 ohm |
| Headphone Output Transformer | N16-535S | Primary: 565 ohm \pm 15% Secondary: 0.95 ohm \pm 15% |
| Oscillator Coil | OT-204 | Between 1 - 3 : 0.3 ohm Between 4 - 6 : 0.7 ohm Between 7 - 9 : 8.2 ohm |
| Erase Head | E4-260 | 2.0 ohm |
| Recording Head | R4-200 | 8.0 ohm |
| Playback Head | P4-202 | 268 ohm |

Chart 4

NOTE: The resistance values shown in this chart are average values.

VIII CLASSIFICATIONS OF VARIOUS P.C BOARDS

1. P.C BOARD INTERCHANGEABILITY CHART

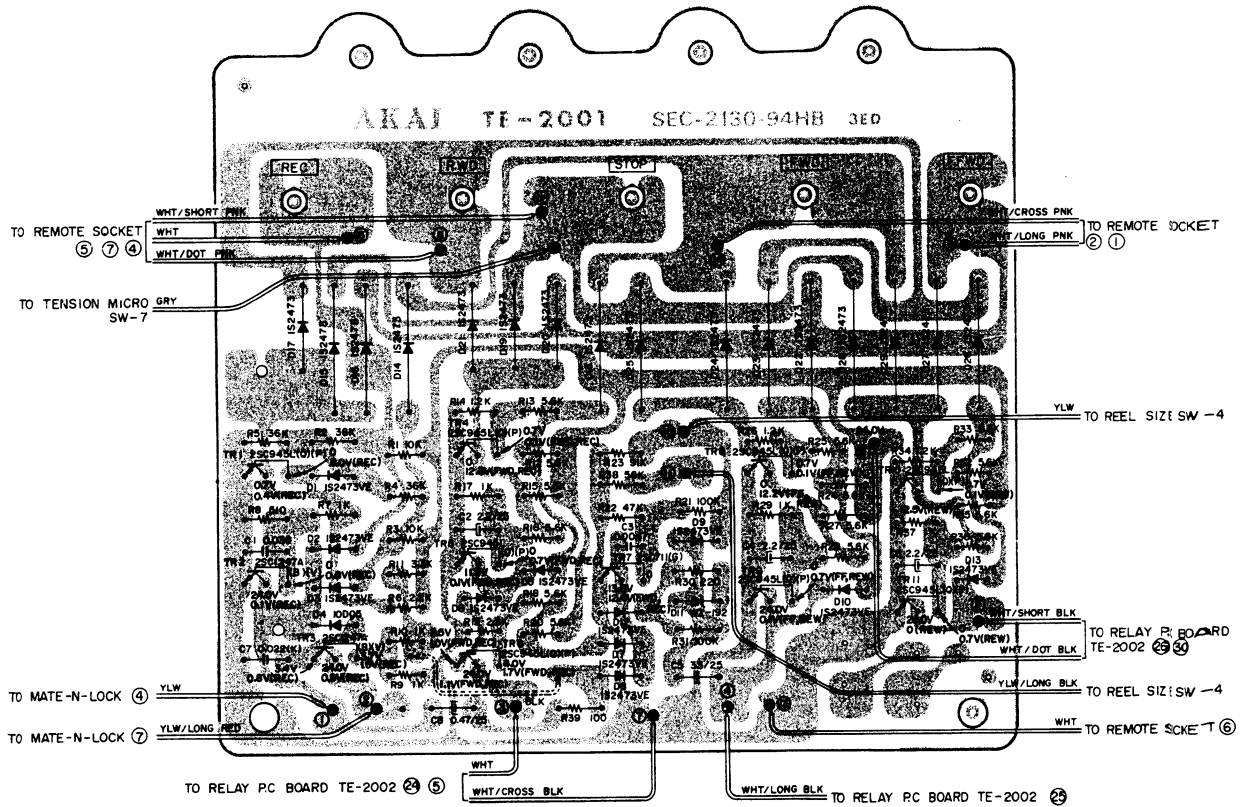
| P.C Board | GX-630D | GX-630DB |
|-------------------------|--------------|--------------|
| Sys Con P.C Board | TE-2001 | TE-2001 |
| Relay P.C Board | TE-2002 | TE-2002 |
| Speed Switch P.C Board | TE-5001 | TE-5001 |
| Rec Mode P.C Board | TE-5003 | TE-5003 |
| SRT P.C Board | *TD-5201 | *TD-5201 |
| Dolby P.C Board | | TD-5301 4ED |
| Servo P.C Board | MY-2036 2ED | MY-2036 2ED |
| Rec & Osc Amp P.C Board | *MY-5016 3ED | *MY-5016 3ED |
| P.B Amp P.C Board | MY-5017 2ED | MY-5017 2ED |
| Transistor P.C Board | KJ-2049 | KJ-2049 |
| Jack Plate P.C Board | LE-5622 | LE-5622 |

Chart 5

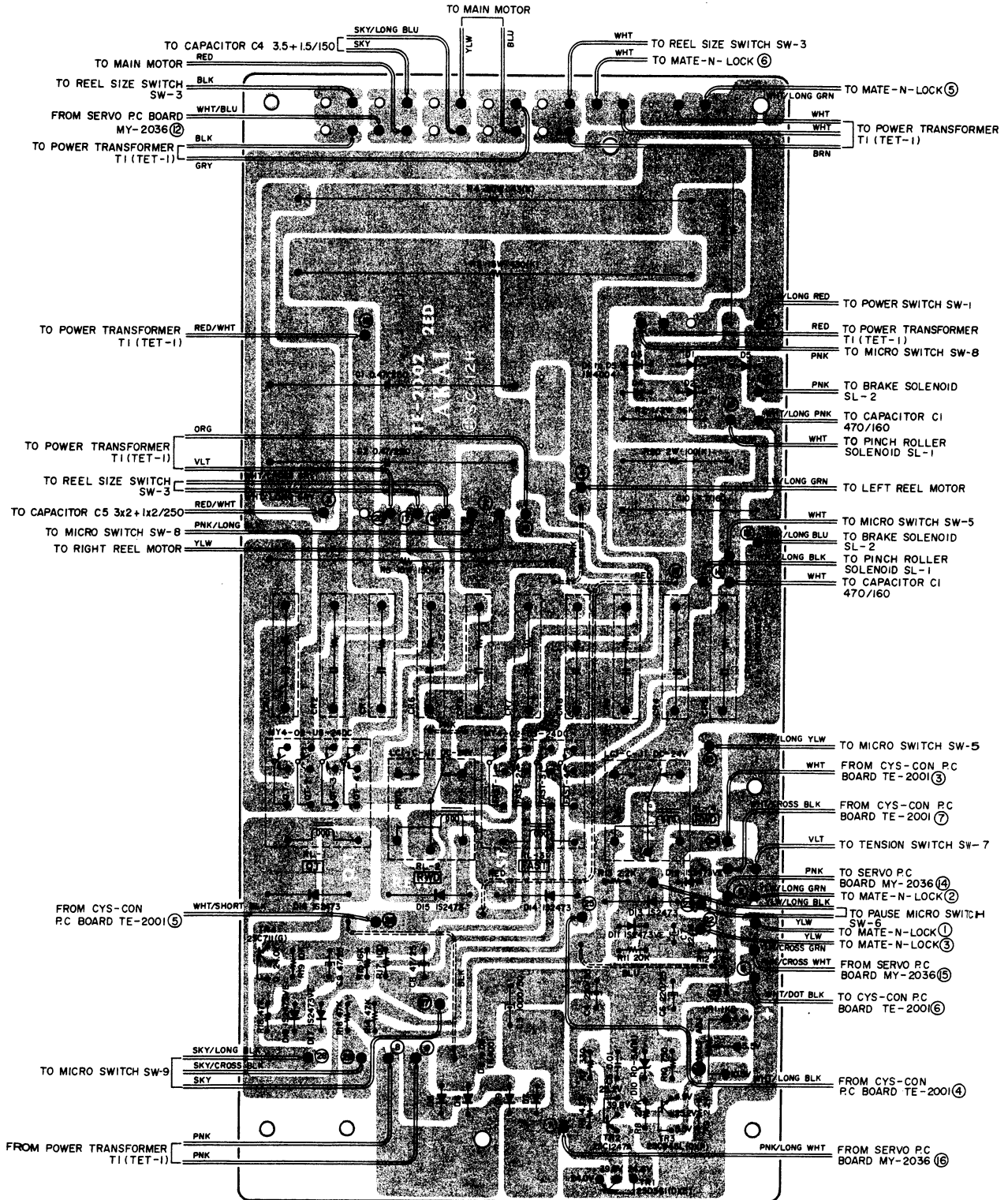
NOTE: * Mark not interchangeable

2. COMPOSITE VIEWS OF VARIOUS P.C BOARDS

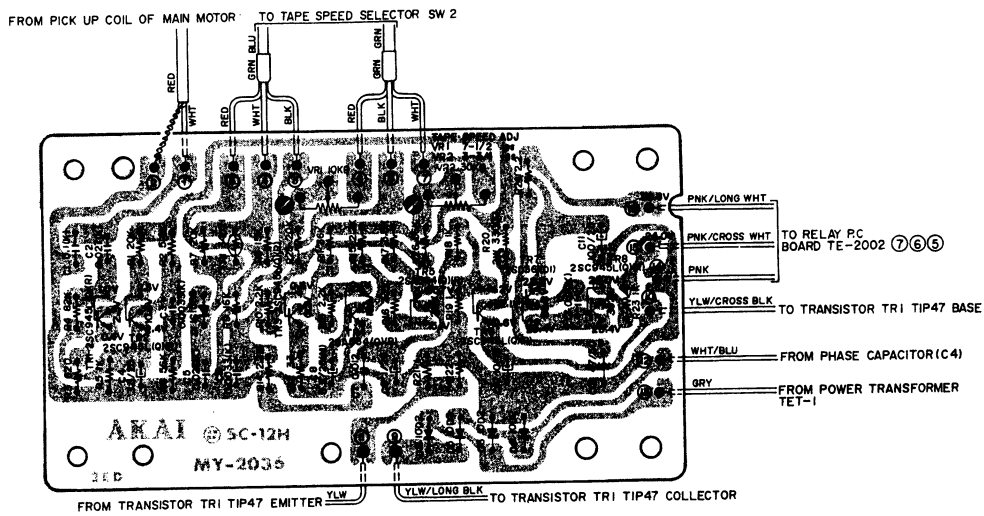
1) CYSCON P.C BOARD TE-2001



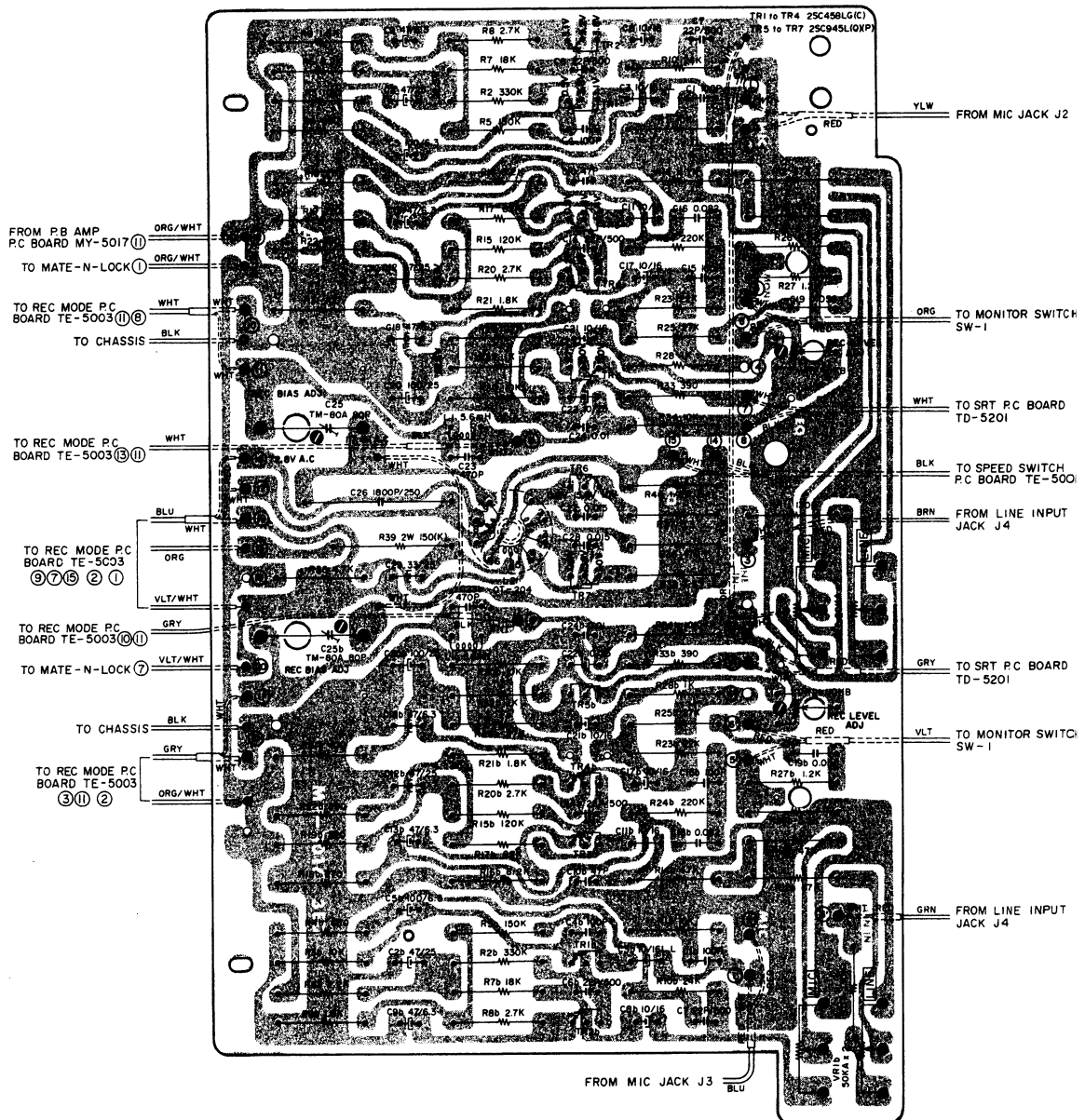
2) RELAY P.C BOARD TE-2002



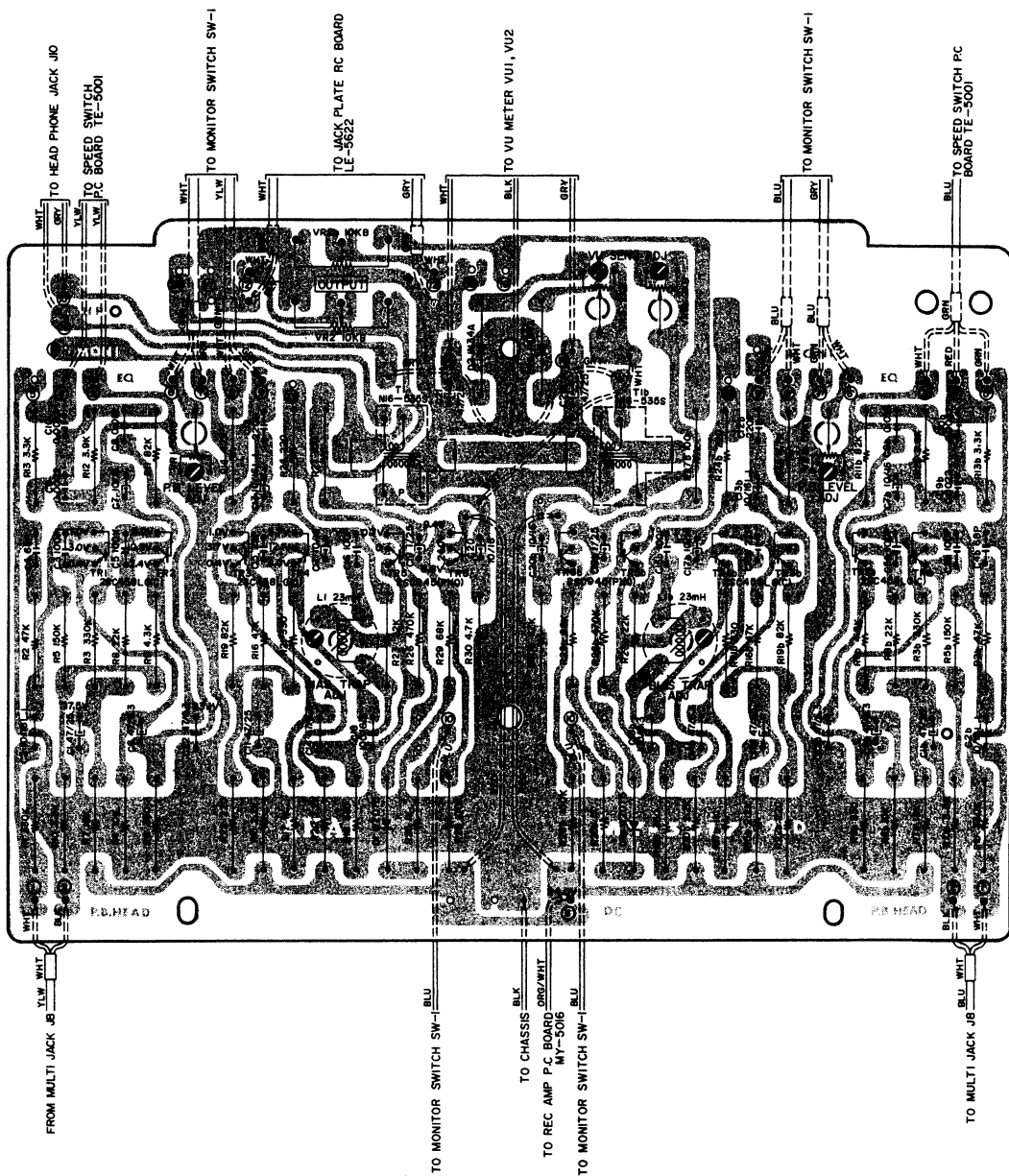
3) SERVO P.C BOARD MY-2036



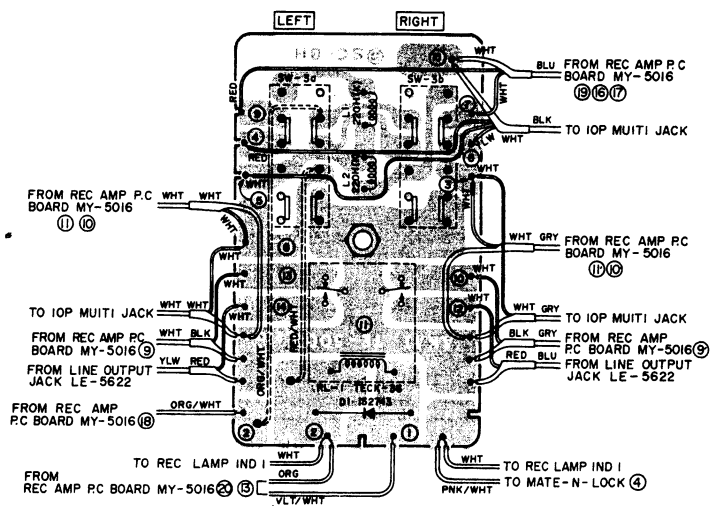
4) RECORDING AMP P.C BOARD MY-5016



5) PLAYBACK AMP P.C BOARD MY-5017

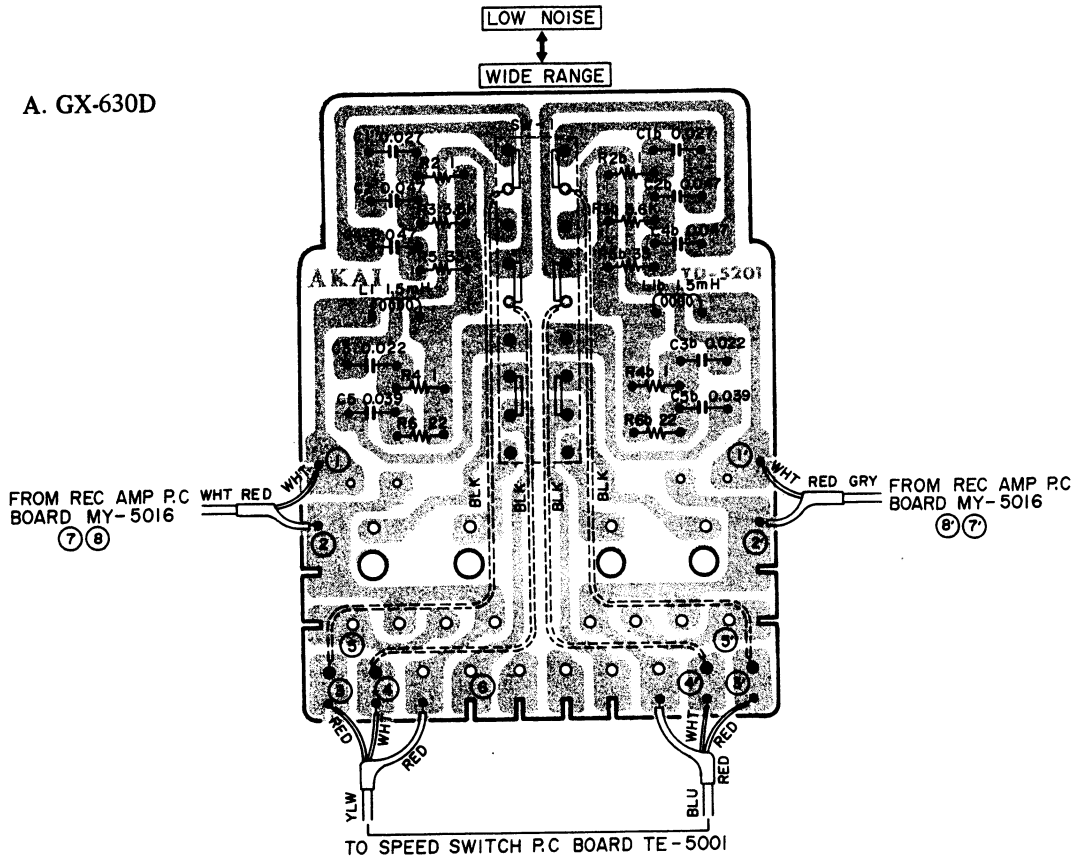


6) RECORDING MODE P.C BOARD TE-5003

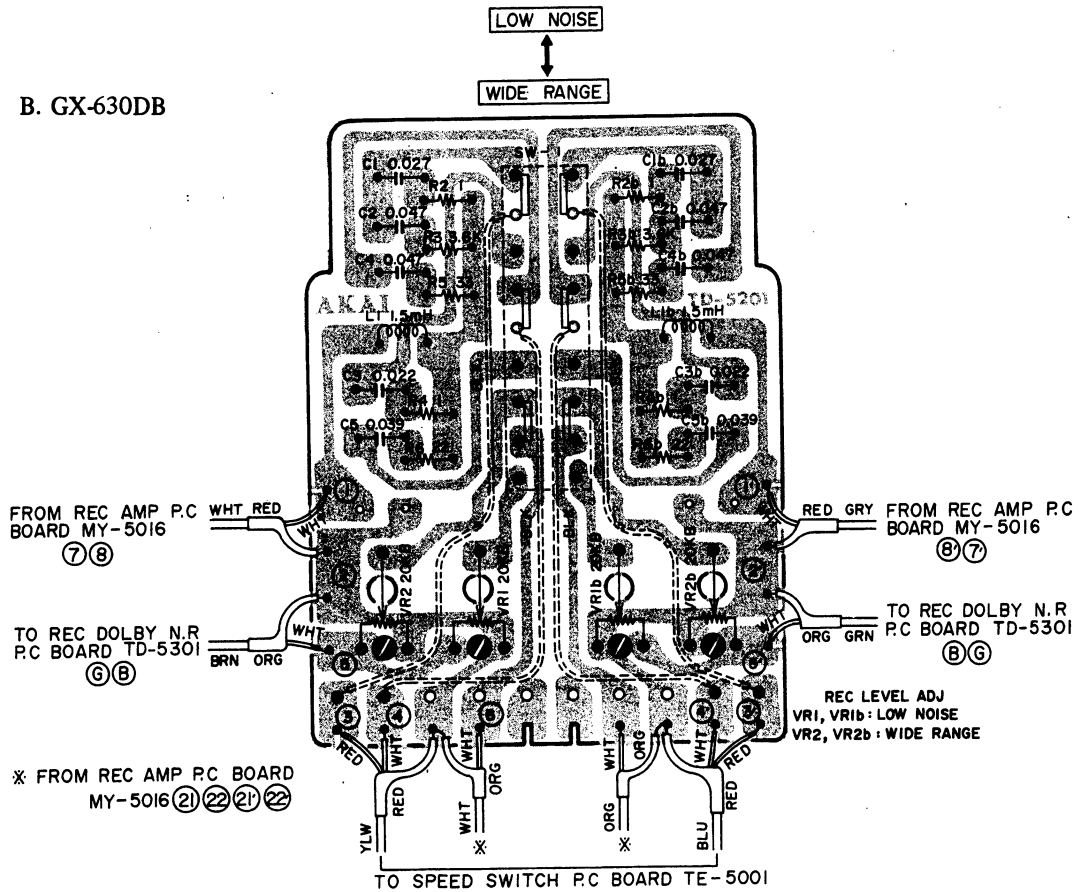


7) SRT P.C BOARD TD-5201

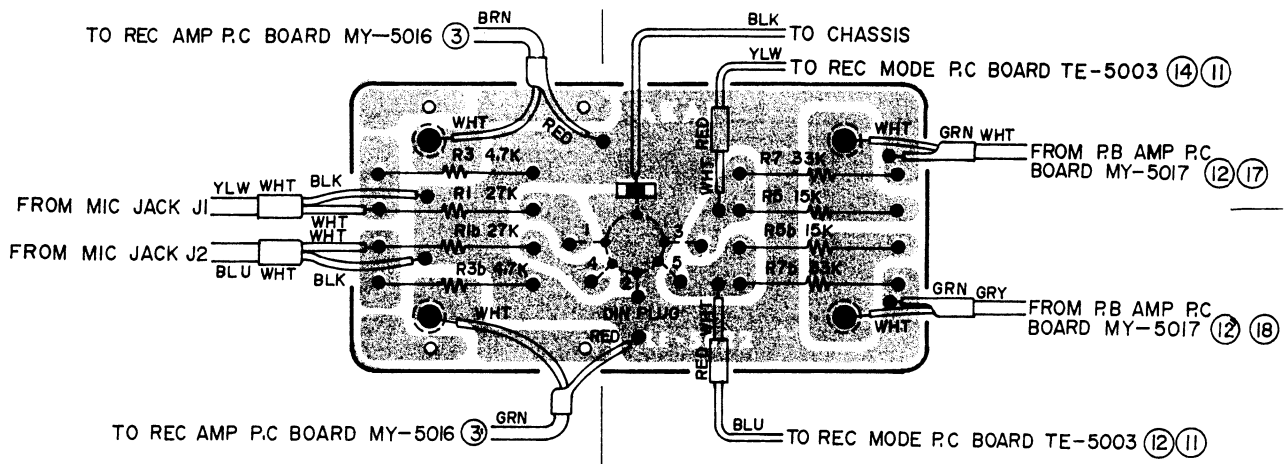
A. GX-630D



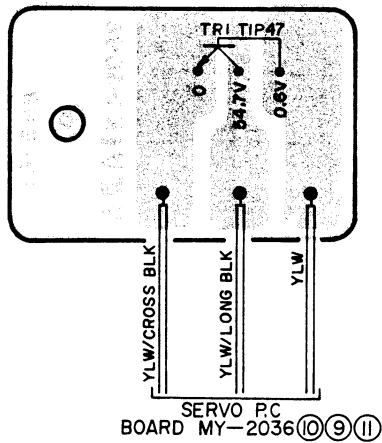
B. GX-630DB



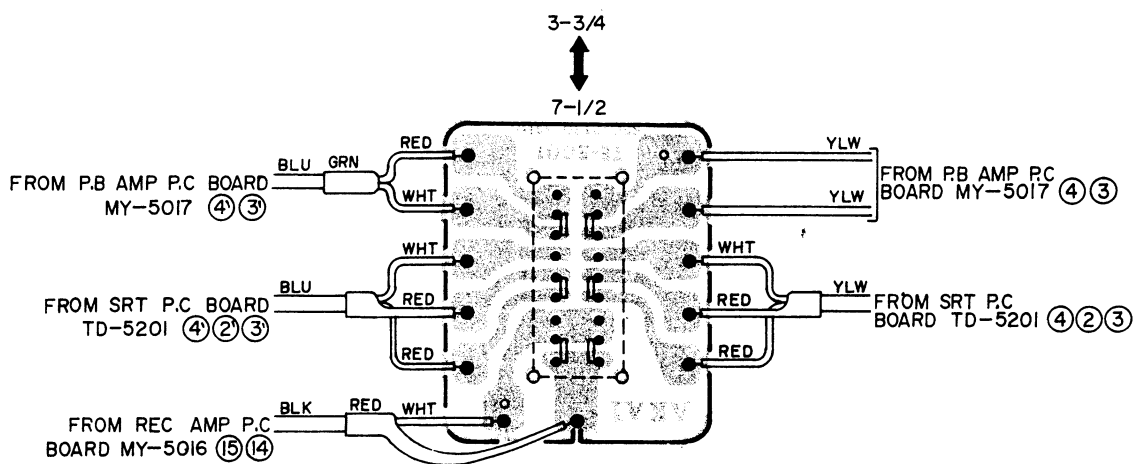
8) JACK PLATE P.C BOARD LE-5622



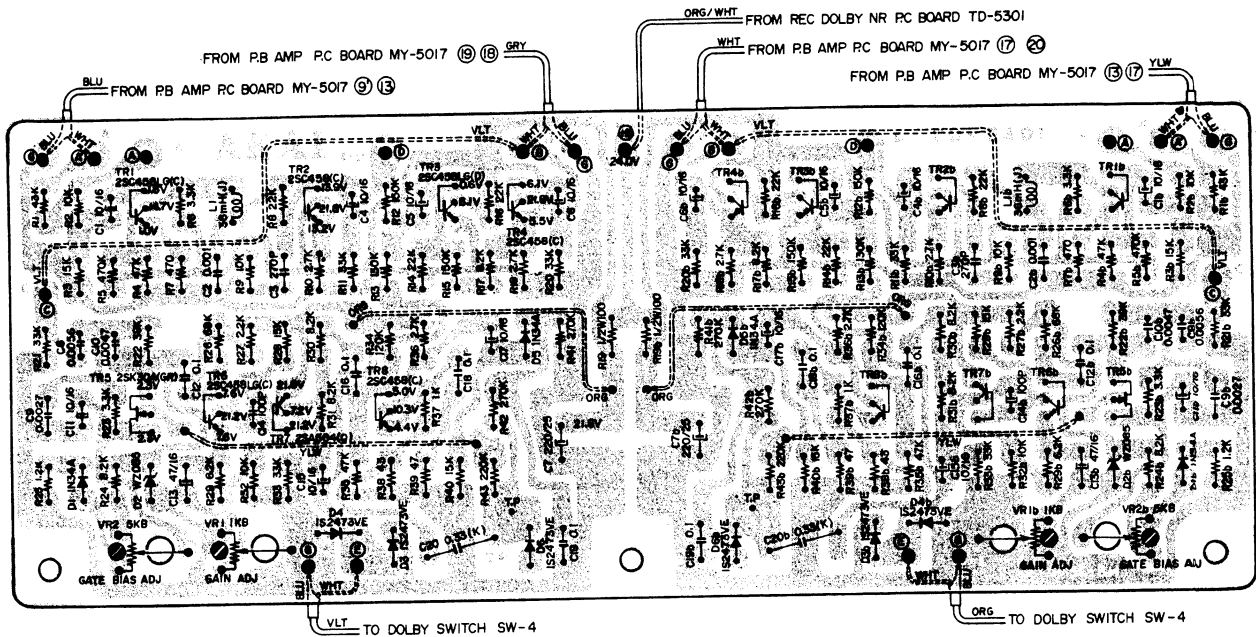
9) TRANSISTOR P.C BOARD KJ-2049



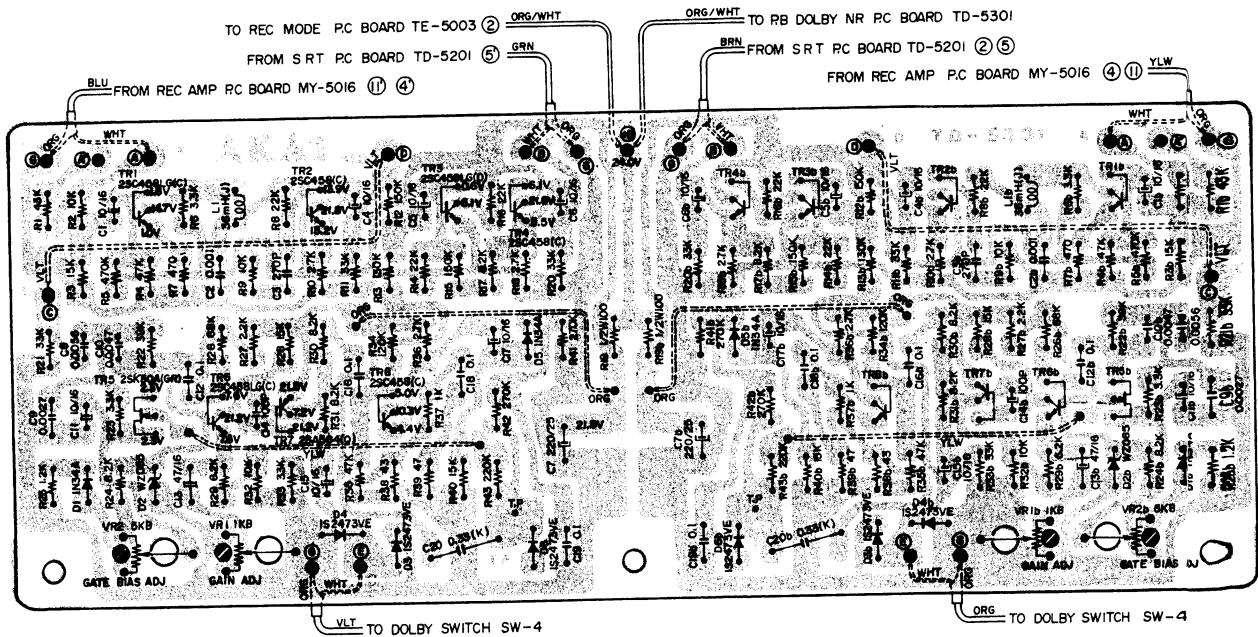
10) SPEED SWITCH P.C BOARD TE-5001



11) P.B DOLBY N.R P.C BOARD TD-5301



12) REC DOLBY N.R P.C BOARD TD-5301



SECTION 2

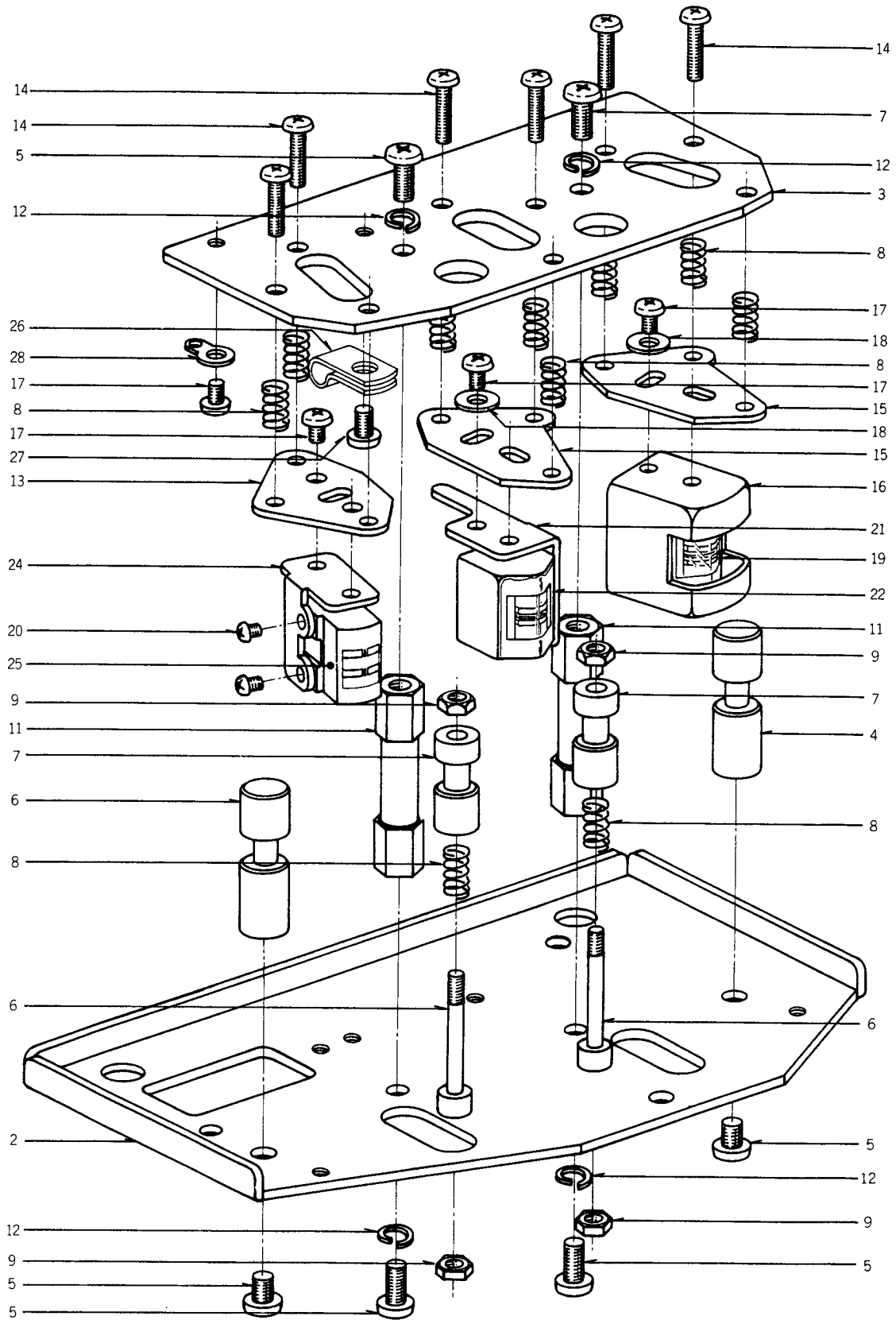
PARTS LIST

TABLE OF CONTENTS

| | |
|--|----|
| 1. HEAD BLOCK | 26 |
| 2. MAIN MOTOR BLOCK | 28 |
| 3. REEL MOTOR/REEL TABLE BLOCK | 29 |
| 4. IMPEDANCE ROLLER BLOCK | 30 |
| 5. BRAKE PLUNGER BLOCK | 31 |
| 6. TENSION ARM BLOCK | 32 |
| 7. POWER SUPPLY/CONNECTOR PANEL BLOCK | 34 |
| 8. MECH. ASSEMBLY BLOCK | 35 |
| 9. P.B P.C BOARD (MY-5017) BLOCK | 37 |
| 10. REC, OSC P.C BOARD (MY-5016) BLOCK | 37 |
| 11. DOLBY P.C BOARD (TD-5301) BLOCK | 37 |
| 12. SRT P.C BOARD (TD-5201) BLOCK | 38 |
| 13. SYS. CON P.C BOARD (TE-2001) BLOCK | 38 |
| 14. SERVO P.C BOARD (MY-2036) BLOCK | 38 |
| 15. RELAY P.C BOARD (TE-2002) BLOCK | 38 |
| 16. REC MODE P.C BOARD (TE-5003) BLOCK | 39 |
| 17. SPEED SWITCH P.C BOARD (TE-5001) BLOCK | 39 |
| 18. AMP. ASSEMBLY BLOCK | 40 |
| 19. FINAL ASSEMBLY BLOCK | 41 |
| 20. LIST OF INTERCHANGEABLE SEMICONDUCTORS | 42 |
| INDEX | 43 |

Some of the parts in this parts list are only available as a complete assembly, and can not be supplied as individual parts.

i ILLUSTRATION OF HEAD BLOCK



When ordering parts, please describe Parts Number, Serial Number, and Model Number in detail.

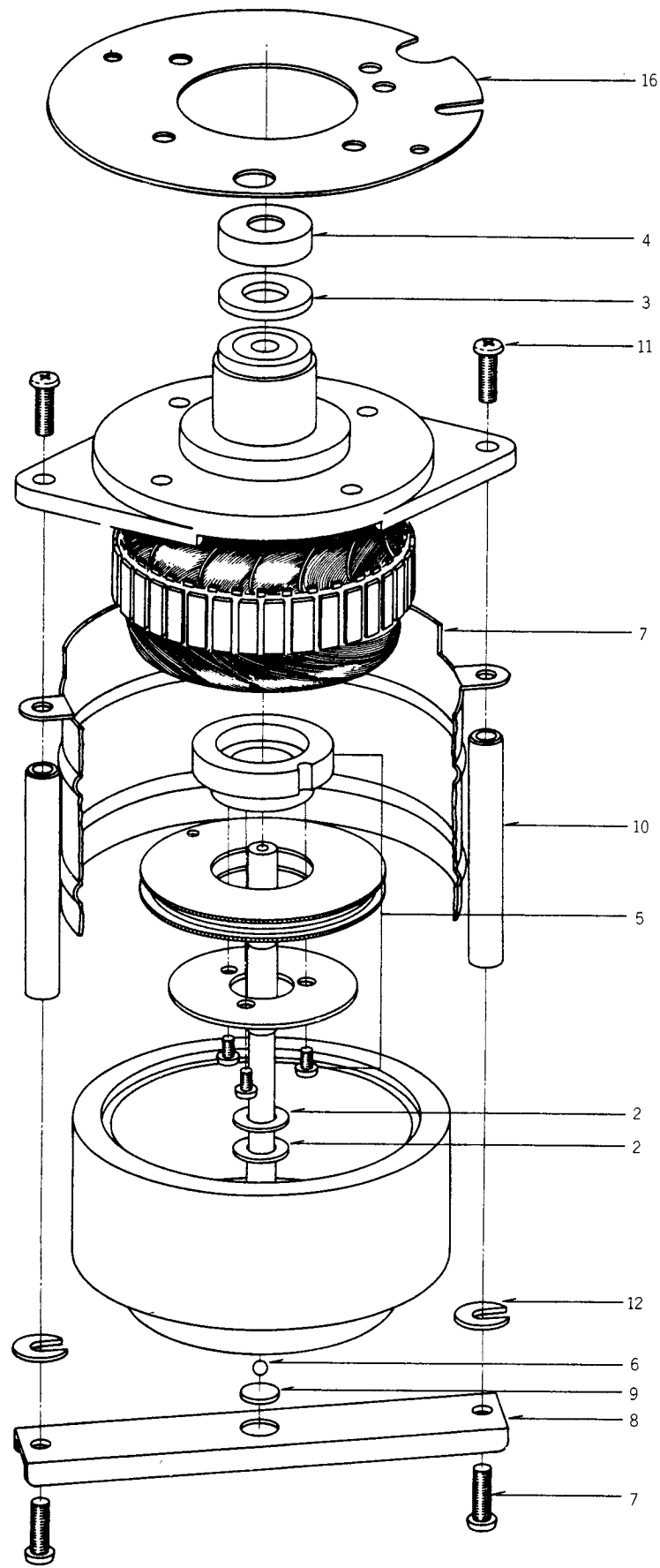
1) HEAD BLOCK

| Ref. No. | Parts No. | Description | Schematic No. | Q'ty |
|----------|-----------|--------------------------------|---------------|------|
| 1-1x | BH638008 | Head Block Comp. GX-630D/DB | | 1 |
| 1-2 | HZ643544 | Head Base | TE-0001 | 1 |
| 1-3 | HZ645298 | Head Base C | TD-0001 | 1 |
| 1-4 | HZ803597 | Tape Guide A | RD-3 | 2 |
| 1-5 | ZS537006 | Screw, binding head 4x8 | | 6 |
| 1-6 | MH578957 | Tape Guide Prop | TD-0003 | 2 |
| 1-7 | HZ532710 | Tape Guide B | TW-0006 | 2 |
| 1-8 | ZG466312 | Angle Adjust Spring E | BS-0018 | 11 |
| 1-9 | ZW273835 | Nut M3 | | 4 |
| 1-10x | ZW273745 | Spring Washer M3 | | 2 |
| 1-11 | MH529233 | Head Base Prop B | ND-0017 | 2 |
| 1-12 | ZW273914 | Spring Washer M4 | | 4 |
| 1-13 | HZ532732 | CH Retaining Base | TW-0008 | 1 |
| 1-14 | ZS562432 | Screw, binding head 3x13 | | 9 |
| 1-15 | HZ532765 | PH Retaining Base | TW-0010 | 2 |
| 1-16 | HZ532776 | Shield Case | TW-0011 | 1 |
| 1-17 | ZS396000 | Screw, binding head 3x4 | | 7 |
| 1-18 | ZW413256 | Washer (SPC) D3.4x7.8x0.5t | | 2 |
| 1-19 | HP536501 | PB. HEAD P4-202 | | 1 |
| 1-20 | ZS394525 | Screw, binding head 2x3 | | 2 |
| 1-21 | HA533597 | RH Angle | TW-0201 | 1 |
| 1-22 | HR384513 | REC. HEAD R4-200 | | 1 |
| 1-23x | ZS460438 | Screw, binding head 2x3 | | 2 |
| 1-24 | HA533608 | EH Angle | TW-0202 | 1 |
| 1-25 | HE563220 | ERASE HEAD E4-260 | | 1 |
| 1-26 | EJ315101 | Nylon Clip HP-4N | 2-7-38 | 1 |
| 1-27 | ZS355511 | Screw, binding head 3x6 | | 1 |
| 1-28 | ZW273881 | Earth Lug M4 | | 1 |

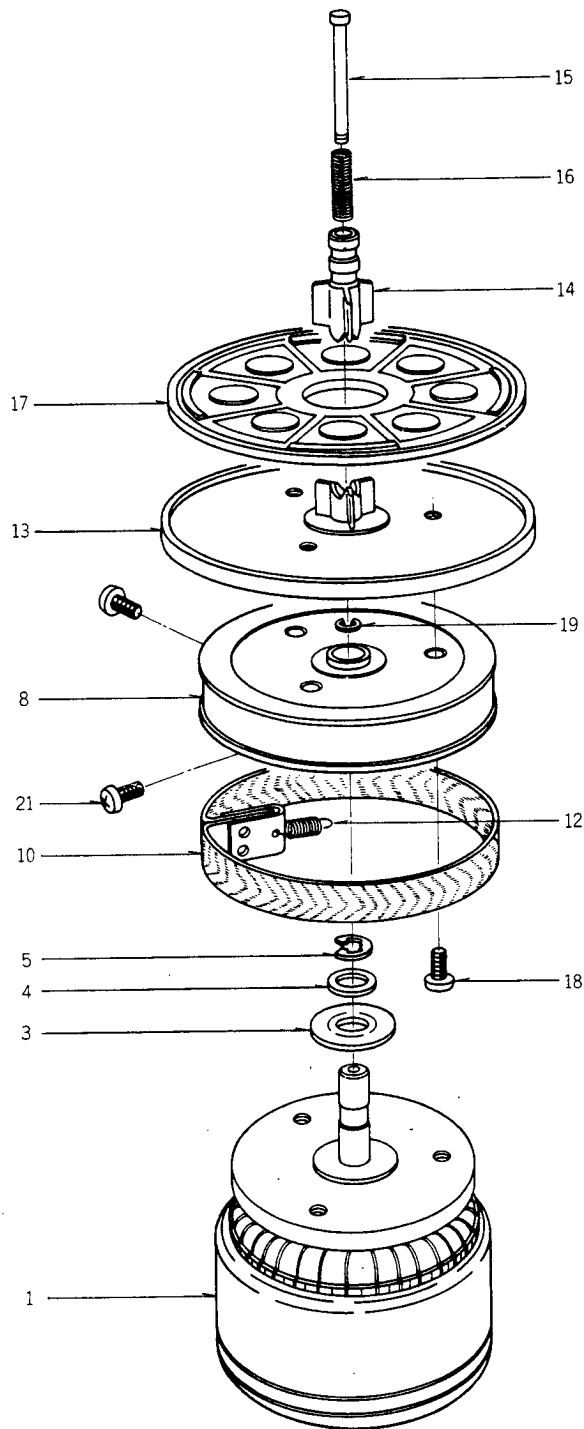
2) MAIN MOTOR BLOCK

| Ref. No. | Parts No. | Description | Schematic No. | Q'ty |
|----------|-----------|---------------------------------------|---------------|---------------|
| 2-1x | BM637975 | Main Motor Block (SCM2-24KJ) Comp. | | KJ,MY,NE,TE 1 |
| 2-2 | ZW597543 | Thrust Washer A | | KJ-7009 2 |
| 2-3 | ZW597622 | Felt Washer | | KJ-7022 1 |
| 2-4 | SK597633 | Cap | | KJ-7023 1 |
| 2-5 | BZ600300 | Detector Gear Block Comp. | | KJ,MY,NE,TE 1 |
| 2-6 | MV368886 | Steel Ball D3 | | 1 |
| 2-7 | MZ650046 | Motor Shield Plate | | TE-7008 1 |
| 2-8 | MZ597644 | Thrust Angle | | KJ-7024 1 |
| 2-9 | MZ597690 | Ball Holder | | KJ-7029 1 |
| 2-10 | MS597655 | Thrust Holding Prop | | KJ-7025 2 |
| 2-11 | ZS413234 | Screw, pan head 4x12 | | 4 |
| 2-12 | ZW603786 | Adjust, Washer (U) D4x13x0.2t | | 2 |
| 2-13x | ZW603797 | Adjust, Washer (U) D4x13x0.5t | | 2 |
| 2-14x | ZW603764 | Adjust, Washer (U) D4x13x1.2t | | 2 |
| 2-15x | ZW603775 | Adjust, Washer (U) D4x13x1.6t | | 2 |
| 2-16 | EZ627862 | Coil End Shield Plate | | MY-7001 1 |

2 ILLUSTRATION OF MAIN MOTOR BLOCK



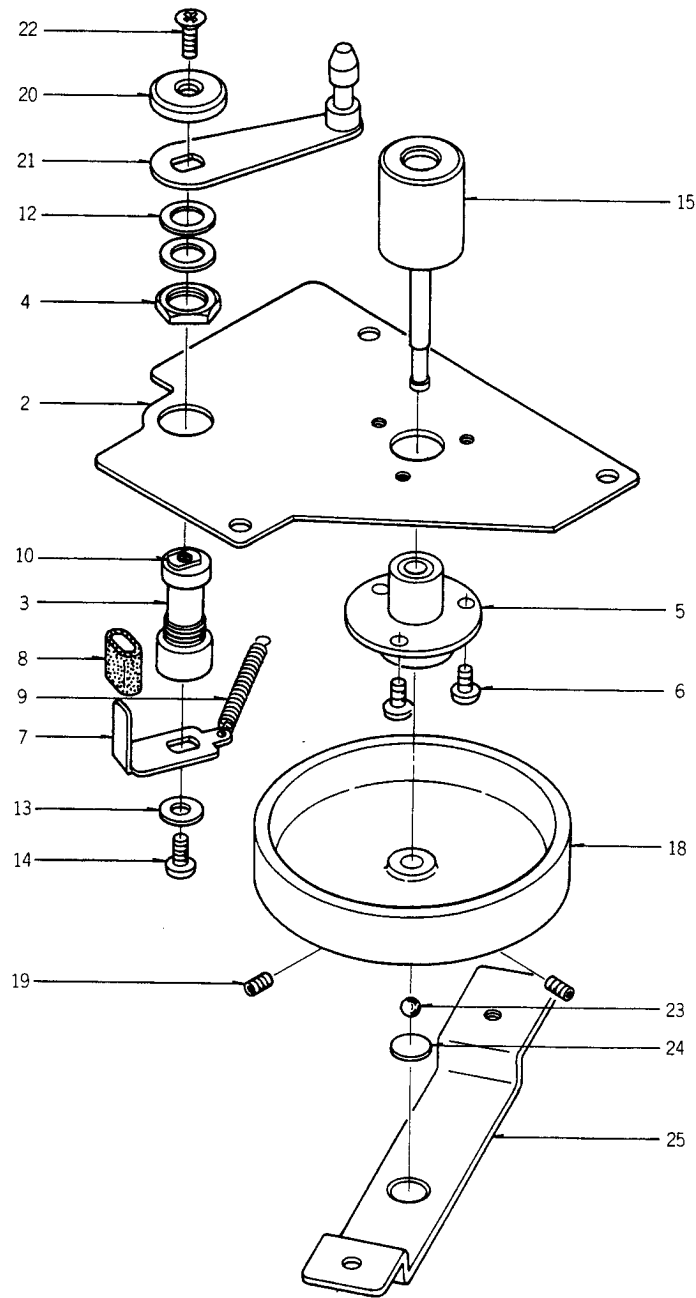
3 ILLUSTRATION OF REEL MOTOR/REEL TABLE BLOCK



3) REEL MOTOR/REEL TABLE BLOCK

| Ref. No. | Parts No. | Description | Schematic No. | Q'ty |
|-------------------------|-----------|-----------------------------|---------------|------|
| REEL MOTOR BLOCK | | | | |
| 3-1 | BM587518 | Reel Motor Block (24XO-TD) | | 1 |
| | | Comp. | TD,TE,TY | 1 |
| 3-2x | MV408510 | Bearing 608VVMC2ERAV2L | | 1 |
| 3-3 | MZ248185 | Bearing Retainer | 3R-758 | 1 |
| 3-4 | ZW260278 | Washer (Nylon) D8.1x13x0.5t | | 1 |
| 3-5 | ZW270156 | 'E' Ring 6M | 6-1-9 | 1 |
| REEL TABLE BLOCK | | | | |
| 3-6x | BR587542 | Reel Table Block (Left) | TD,TE | 1 |
| 3-7x | BR587553 | Reel Table Block (Right) | TD,TE | 1 |
| 3-8 | MT577473 | Brake Drum Left B | MR-215 | 1 |
| 3-9x | MZ576538 | Brake Drum Light B | MR-216 | 1 |
| 3-10 | MT436860 | Brake Cloth Comp. | MR-269 | 1 |
| 3-11x | MT317485 | U Metal Fitting | MR-218 | 1 |
| 3-12 | ZG317496 | Felt Tension Spring | MR-260 | 1 |
| 3-13 | MT534666 | Reel Table | TW-2031 | 1 |
| 3-14 | MT534677 | Reel Clamper | TW-2032 | 1 |
| 3-15 | MS342000 | Reel Shaft | 3R-101 | 1 |
| 3-16 | ZG540617 | Clamp Spring | TW-2096 | 1 |
| 3-17 | MT534688 | Reel Table Rubber | TW-2033 | 1 |
| 3-18 | ZS413785 | Screw, binding head 3x12 | | 3 |
| 3-19 | ZW270088 | 'E' Ring 1.9M | 6-1-9 | 1 |
| 3-20x | ZW562476 | Earth Lug M3 | | 1 |
| 3-21 | ZS435273 | Screw, binding Head 4x10 | | 2 |

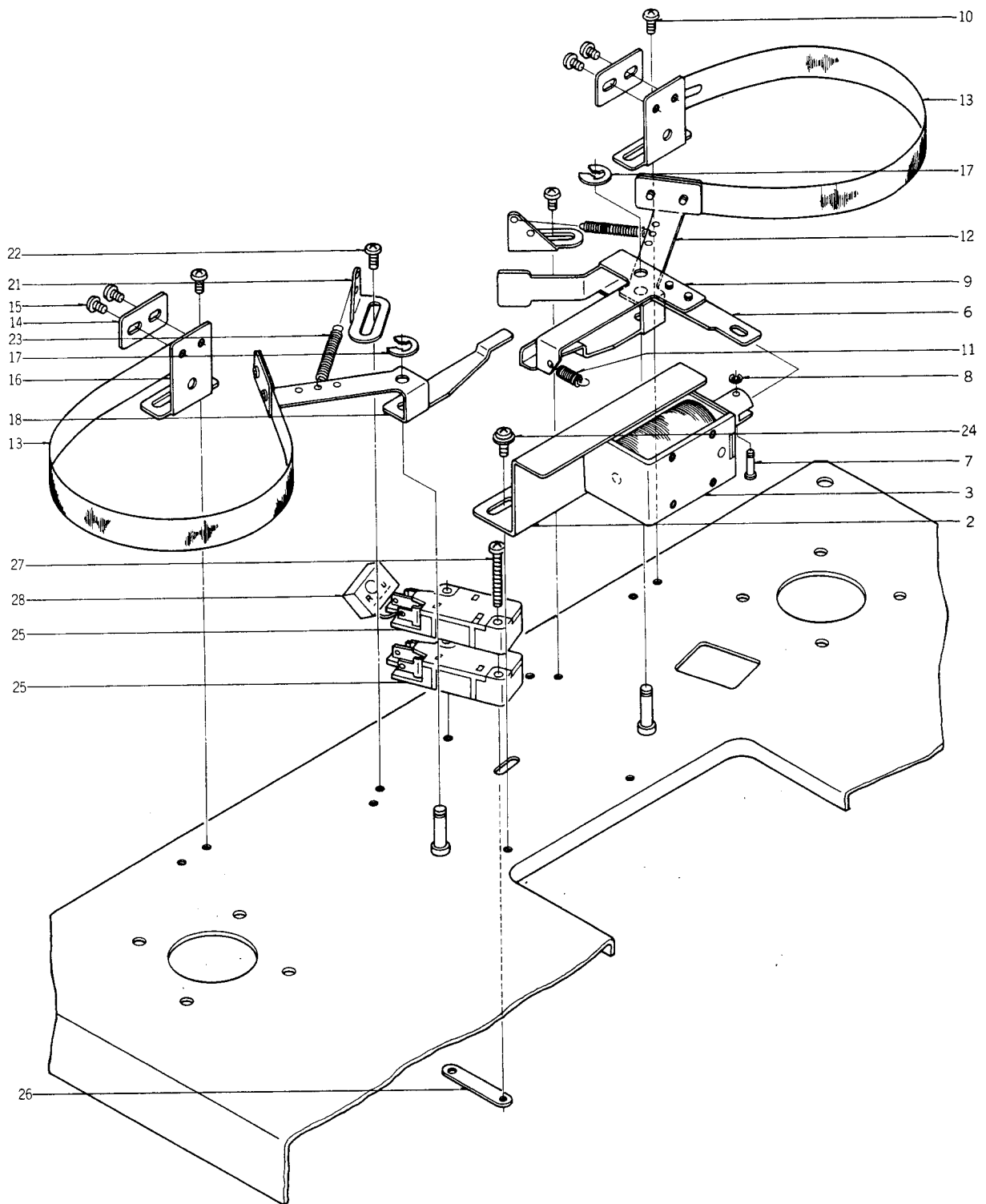
4 ILLUSTRATION OF IMPEDANCE ROLLER BLOCK



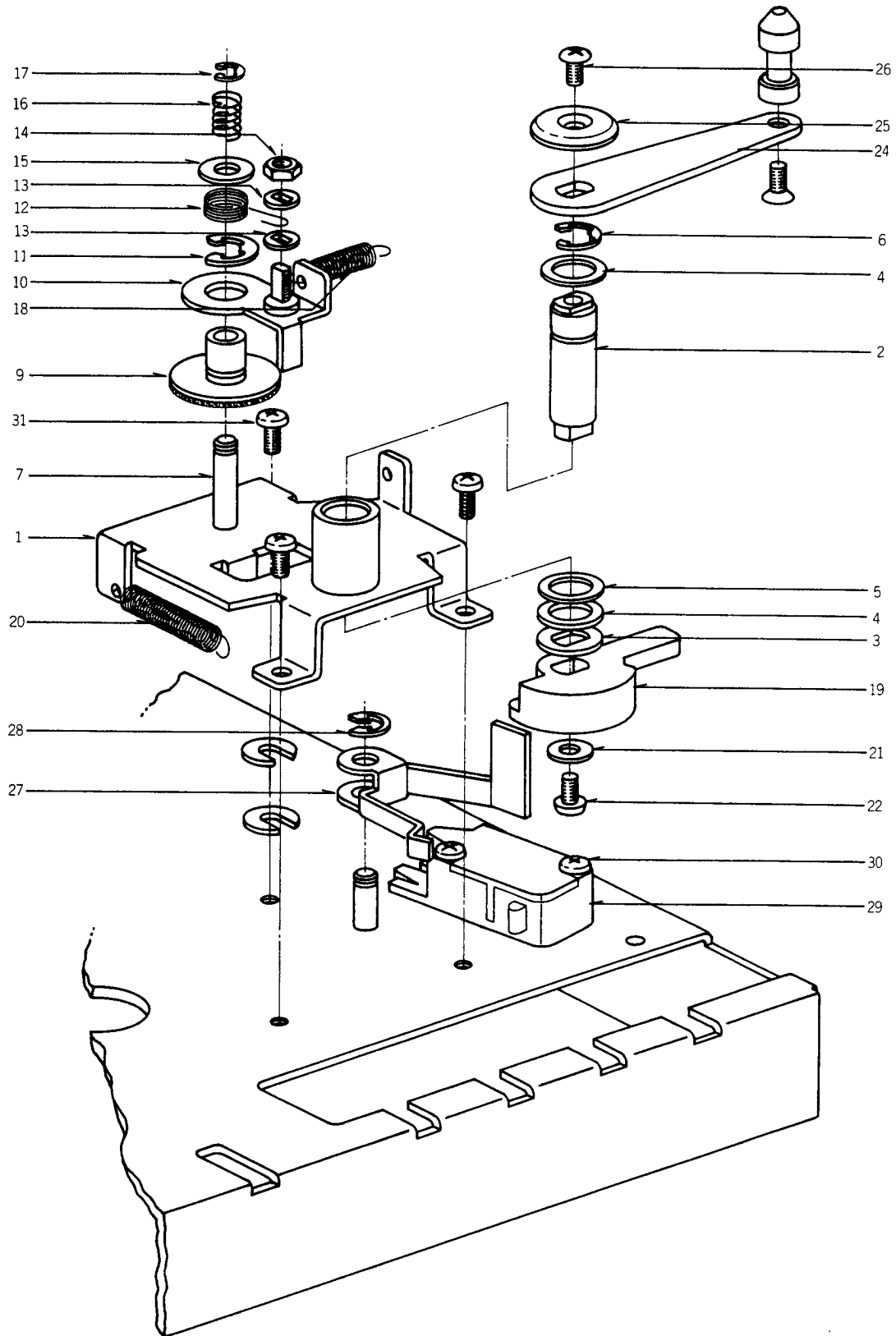
4) IMPEDANCE ROLLER BLOCK

| Ref. No. | Parts No. | Description | Schematic No. | Q'ty | Ref. No. | Parts No. | Description | Schematic No. | Q'ty |
|----------|-----------|---------------------------|---------------|------|----------|-----------|--|---------------|------|
| 4-1x | BI637931 | Impedance Roller Block | | | 4-15 | MR597115 | Impedance Roller, w/shaft | KJ-2033 | 1 |
| - | | Comp. | TE | 1 | 4-16x | MZ597126 | Roller Plate | KJ-2035 | 1 |
| 4-2 | MZ643375 | Impedance Plate | TE-2004 | 1 | 4-17x | ZW655953 | Washer D4.1x10x1t | | 1 |
| 4-3 | MV643386 | Shaft Metal | TE-2005 | 1 | 4-18 | MIS97183 | Flywheel | KJ-2041 | 1 |
| 4-4 | ZW603990 | Metal Nut | 6-3-9 | 1 | 4-19 | ZS593796 | Set Screw, hexagon socket 3x6 (Flat/P.) | | 2 |
| 4-5 | MZ597093 | Metal Case, w/metal | KJ-2029 | 1 | 4-20 | ZW535094 | Decorative Washer | TW-2077 | 1 |
| 4-6 | ZS499331 | Screw, pan head 2.3x5 | | 3 | 4-21 | MZ643858 | T Arm, w/Guide | TE-2003 | 1 |
| 4-7 | MZ643408 | Stopper | TE-2007 | 1 | 4-22 | ZS411660 | Screw, oval countersunk head 3x6 | | 2 |
| 4-8 | MB665561 | TE Stopper Rubber | TE-2039 | 1 | 4-23 | MV269965 | Steel Ball D4 | | 1 |
| 4-9 | ZG535105 | Tension Arm Spring | TW-2078 | 1 | 4-24 | ZW235585 | Nylon Plate D8 | | 1 |
| 4-10 | MS643397 | Shaft | TE-2006 | 1 | 4-25 | MZ640664 | Thrust Supporting Plate | TE-2022 | 1 |
| 4-11x | ZS481724 | ISO Screw, truss head 3x6 | | 1 | | | | | |
| 4-12 | ZW260010 | Washer (PBP) D6.1x10x0.1t | | 3 | | | | | |
| 4-13 | ZW556828 | Washer D3.5x10x0.5t | | 1 | | | | | |
| 4-14 | ZS417216 | Screw, pan head 3x4 | | 1 | | | | | |

5 ILLUSTRATION OF BRAKE PLUNGER BLOCK



6 ILLUSTRATION OF TENSION ARM BLOCK



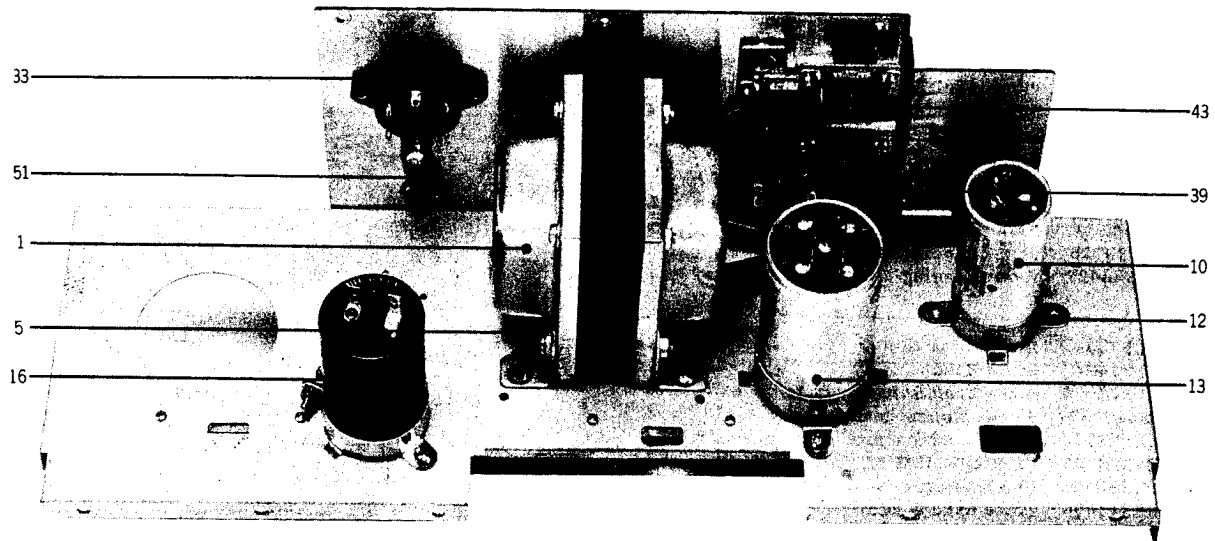
5) BRAKE PLUNGER BLOCK

| Ref. No. | Parts No. | Description | Schematic No. | Q'ty |
|----------|-----------|---|---------------|------|
| 5-1x | BZ637986 | Brake Plunger Block Comp. | TE | 1 |
| 5-2 | MZ643498 | Plunger Retaining Plate | TE-2016 | 1 |
| 5-3 | EP638695 | Plunger Solenoid 1240PHT3 | 44-1-80 | 1 |
| 5-4x | ED570273 | Silicon Diode LN4004 | 45-2-59 | 1 |
| 5-5x | ZS422076 | Screw, pan head 3x5 | | 2 |
| 5-6 | ML643476 | Brake Plunger Lever | TE-2014 | 1 |
| 5-7 | MH257477 | Connecting Pin | RD-211 | 1 |
| 5-8 | ZW270088 | 'E' Ring 1.9M | 6-1-9 | 1 |
| 5-9 | ML643387 | Brake Band Lever | TE-2015 | 1 |
| 5-10 | ZS323728 | Screw, binding head 3x5 | | 6 |
| 5-11 | ZG586427 | Reverse Spring | CP-1192 | 1 |
| | | | | |
| 5-12 | ML533643 | Brake Lever B | TW-1030 | 1 |
| 5-13 | MT314987 | Brake Band | MR-213 | 2 |
| 5-14 | MZ314998 | Brake Band Retaining Plate | MR-212 | 4 |
| 5-15 | ZS417137 | Screw, binding head 3x4 | | 8 |
| 5-16 | ML582074 | Brake Band Support | TD-1023 | 2 |
| 5-17 | ZW290283 | 'U' Ring 2.85M | 6-1-1 | 2 |
| 5-18 | ML582041 | Brake Lever A | TD-1019 | 1 |
| 5-19x | MZ317406 | Brake Band Guide | MR-120 | 2 |
| 5-20x | ZS413166 | Screw, round head 3x6 | | 4 |
| 5-21 | MZ314605 | Spring Rack, MR | MR-104 | 2 |
| 5-22 | ZS379405 | ISO Screw, binding head 3x6 | | 4 |
| 5-23 | ZG540090 | Brake Lever Spring | TW-1058 | 2 |
| 5-24 | ZS422076 | Screw, pan head 3x5 | | 2 |
| 5-25 | ES573456 | Micro SW. K-2 | 25-1-30 | 2 |
| 5-26 | ZW397146 | Micro SW. Nut | KD-1057 | 1 |
| 5-27 | ZS608354 | Scres, pan head 3x30 | | 2 |
| 5-28 | ER450786 | Spark Quencher U/L 0.1μ+120ohm 400WV | 41-1-33 | 1 |

6) TENSION ARM BLOCK

| Ref. No. | Parts No. | Description | Schematic No. | Q'ty |
|----------|-----------|------------------------------------|---------------|------|
| 6-1 | ML580443 | Tension Arm Base, w/metal | TD-2037 | 1 |
| 6-2 | MS645502 | Tension Shaft | TD-2041 | 1 |
| 6-3 | ZW580498 | Tension Arm Washer | TD-2042 | 1 |
| 6-4 | ZW575763 | Washer (SPC) D8.1x13x0.5t | | 2 |
| 6-5 | ZW260256 | Washer (PBP) D8.1x13x0.1t | | 2 |
| 6-6 | MH244710 | Flywheel Fixing Pin | 980-250 | 1 |
| 6-7 | MH580588 | Damper Prop | TD-2052 | 1 |
| 6-8x | TC387617 | Clutch Felt | CS-2011 | 1 |
| 6-9 | MZ580577 | Clutch Plate, w/metal A | TD-2051 | 1 |
| 6-10 | ML580555 | Clutch Lever, w/spring retainer | TD-2048 | 1 |
| 6-11 | ZW270156 | 'E' Ring 6M | 6-1-9 | 1 |
| 6-12 | ZG580511 | Clutch Spring | TD-2044 | 1 |
| 6-13 | ZW580678 | Spring Retaining Washer | TD-2067 | 2 |
| 6-14 | ZW273756 | Nut M3 | | 2 |
| 6-15 | ZW575774 | Washer D4.5x9.8x0.7t | | 1 |
| 6-16 | ZG580533 | Cramp Spring | TD-2046 | 1 |
| 6-17 | ZW410051 | 'E' Ring 2.5 | 6-1-9 | 1 |
| 6-18 | ZG580522 | Clutch Lever Spring | TD-2045 | 1 |
| 6-19 | MZ580500 | Cam. SW. | TD-2043 | 1 |
| 6-20 | ZG659608 | Tension Spring | TE-2034 | 1 |
| 6-21 | ZW550642 | Washer (SPC) D3.1x7.9x0.5t | | 1 |
| 6-22 | ZS323728 | Screw, binding head 3x5 | | 1 |
| 6-23x | MZ810191 | Cushion Rubber, RD | RD-278 | 1 |
| | | | | |
| 6-24 | ML580465 | Tension Arm, w/guide B | TD-2039 | 1 |
| 6-25 | ZW535094 | Decorative Washer | TW-2077 | 1 |
| 6-26 | ZS200384 | Screw, countersunk head 3x6 | | 1 |
| 6-27 | MZ580680 | Actuator | TD-2068 | 1 |
| 6-28 | ZW290283 | 'U' Ring 2.85M | 6-1-1 | 1 |
| 6-29 | ES573456 | Micro SW. K-2 | 25-1-30 | 2 |
| 6-30 | ZS508354 | Screw, pan head 3x30 | | 2 |
| 6-31 | ZS413155 | Screw, binding head 3x6 | | 4 |

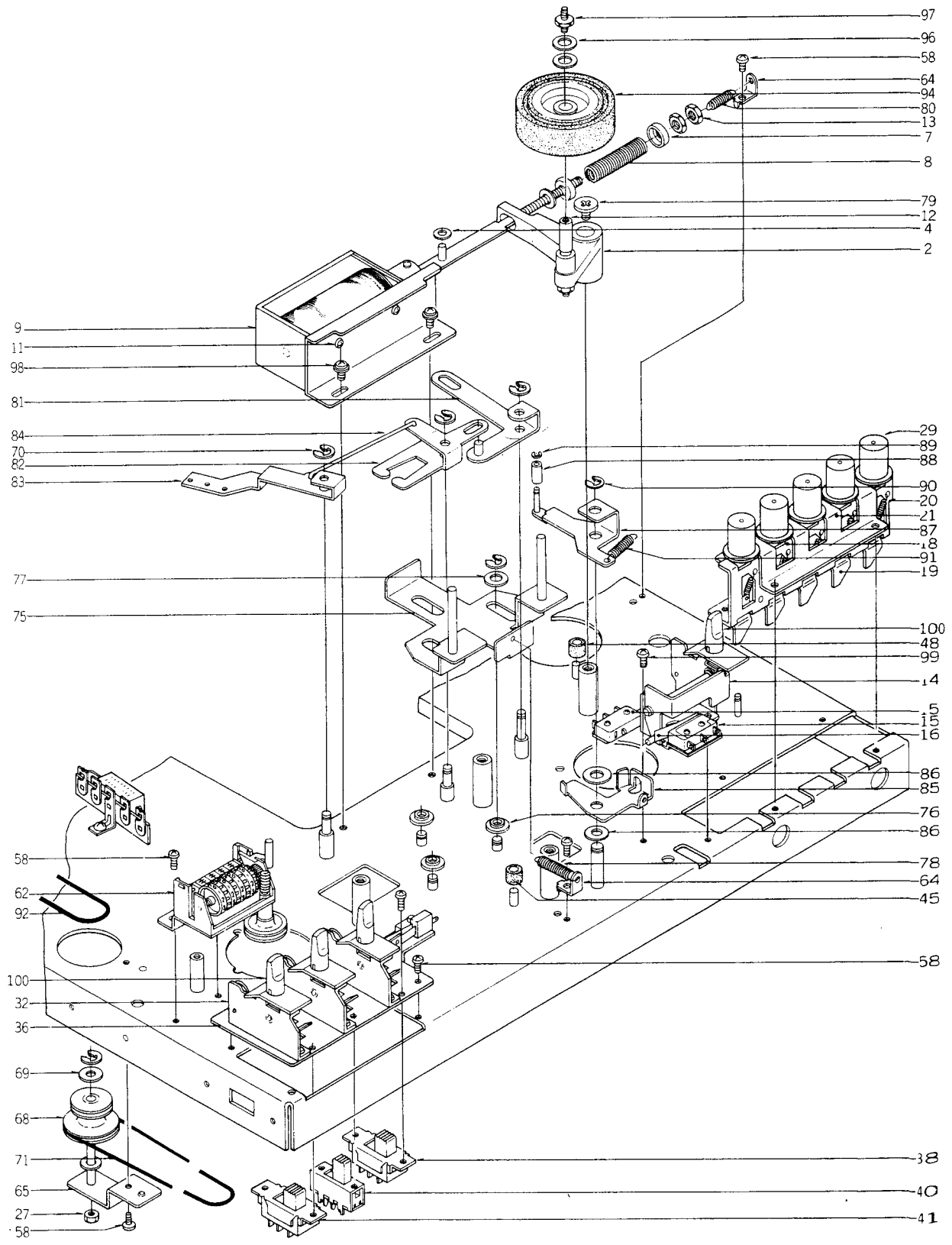
7 PHOTO OF POWER SUPPLY/CONNECTOR PANEL BLOCK



7) POWER SUPPLY/CONNECTOR PANEL BLOCK

| Ref. No. | Parts No. | Description | Schematic No. | Q'ty | Ref. No. | Parts No. | Description | Schematic No. | Q'ty |
|---------------------------|-----------|--|---------------|------|------------------------------|-----------|---|---------------|------|
| POWER SUPPLY BLOCK | | | | | | | | | |
| 7-1 | BT640517 | Power Trans. TET-1 | 38-4-354 | 1 | 7-26x | EJ654221 | Lug Plate KPL4L (CEE,CSA,JPN) | 33-3-26 | 1 |
| 7-2x | BT661858 | Power Trans. TET-5 (CEE) | 38-4-389 | 1 | 7-27x | ZW273881 | Earth Lug M4 (CEE) | | 1 |
| 7-3x | BT661926 | Power Trans. TET-4 (CSA) | 38-4-388 | 1 | 7-28x | ZS417150 | Screw, pan head 4x6 (CEE) | | 1 |
| 7-4x | BT661904 | Power Trans. TET-3 (JPN) | 38-4-387 | 1 | 7-29x | ZW413188 | Nut M4 (CEE) | | 1 |
| 7-5 | ZW510827 | Tapping Screw #2 4x6 BR | | 4 | 7-30x | ZW273892 | Toothed Lock Washer M4 (CEE) | | 1 |
| 7-6x | ZS413201 | Screw, pan head 4x8 (CEE, CSA, JPN) | | 4 | 7-31x | MT553948 | Wire Band B | 2-35-3 | 2 |
| 7-7x | ZW273892 | Toothed Lock Washer M4 (CEE) | | 4 | 7-32x | EJ510333 | Wire Clip 220-JD481610-0104 (Nylon) | 2-7-17 | 1 |
| 7-8x | ZW413188 | Nut M4 (CEE, CSA, JPN) | | 4 | 7-33 | EJ233370 | Socket (Volt. Selector) S-18010 | 40-2-3 | 1 |
| 7-9x | ZW273914 | Spring Washer M4 (CSA, JPN) | | 4 | 7-34x | EZ654208 | Fuse Holder TE (CEE,JPN) | 40-1-74 | 1 |
| 7-10 | EC593763 | MP/C. 3.5+1.5μF 150WV AC (LUG Type Uni/D.) | 24-9-88 | 1 | 7-35x | EZ655198 | Fuse Holder 5P Base (CSA) | 40-1-71 | 1 |
| 7-11x | EC661882 | MP/C. 5μF 150WV AC (Lug Type Uni/D.) (CEE) | 24-9-111 | 1 | 7-36x | MZ583198 | Fuse Angle TD (CEE,CSA,JPN) | TD-1067 | 2 |
| 7-12 | ZS325495 | Tapping Screw #2 3x6 | | 13 | 7-37x | ZS379350 | ISO Screw, pan head 3x6 (CEE,CSA,JPN) | | 2 |
| 7-13 | EC520626 | MP/C. (3+1)μFx2 250WV AC (Lug Type Uni/D.) | 24-9-74 | 1 | 7-38x | EF623114 | Fuse (SEMKO T Type) 200MAT (C1200MAT (CEE) | 39-1-53 | 1 |
| 7-14x | EC641136 | MP/C. 4+4 μF 250WV AC (Lug Type Uni/D.) (CEE) | 24-9-103 | 1 | CONNECTOR PANEL BLOCK | | | | |
| 7-15x | EC536927 | MP/C. 3μFx2 250WV AC (Lug Type Uni/D.) (CSA) | 24-9-79 | 1 | 7-39 | EJ222748 | Socket, Sub Magnale #311SG | 31-1-39 | 1 |
| 7-16 | EC557190 | Elect./C. 470μF 160WV (Lug Type) | 24-10-88 | 1 | 7-40x | MZ302400 | Remote Control Socket Mt. Plate | RX-515 | 1 |
| 7-17x | EF623103 | Fuse 1AT (SEMKO T Type) (CEE) | 39-1-53 | 5 | 7-41x | ZS355522 | Screw, pan head 3x6 | | 5 |
| 7-18x | EF487427 | Fuse ULMF61M 250V 0.2A (CSA) | 39-1-45 | 1 | 7-42x | ML580612 | F SW. Table A | TD-2059 | 1 |
| 7-19x | EF511637 | Fuse ULMF61M 250V 1A (CSA) | 39-1-45 | 4 | 7-43 | ES479485 | Slide SW. S-1 | 25-3-66 | 3 |
| 7-20x | EF588420 | Fuse 1A 125V (JPN) | 39-1-52 | 5 | 7-44x | ZS422076 | Screw, pan head 3x5 | | 4 |
| 7-21x | EF654210 | Fuse 0.25A 125V (JPN) | 29-1-52 | 1 | 7-45x | ZS327835 | ISO Screw, countersunk head 3x5 | | 2 |
| 7-22x | EA642701 | Repeater P.C Board (CEE) | 33-2-52 | 1 | 7-46x | MZ580601 | F SW. Plate | TD-2058 | 1 |
| 7-23x | EZ614586 | Fuse Table MY (CEE) | MY-2043 | 1 | 7-47x | EA597251 | Transistor P.C Board | KJ-2049 | 1 |
| 7-24x | ZS379350 | ISO Screw, pan head 3x6 (CEE) | | 2 | 7-48x | ET621786 | Transistor T1P-48 | 45-1-197 | 1 |
| 7-25x | EC650968 | Thermister (SINE) PTH62AR 100M (CEE,CSA,JPN) | 45-14-3 | 2 | 7-49x | ZS421806 | Screw, pan head 3x8 | | 1 |
| | | | | | 7-50x | ZW516611 | Nut M3 | | 1 |
| | | | | | 7-51 | EJ631945 | Strain Relief SR-4N-4 | 2-7-49 | 1 |
| | | | | | 7-52x | EZ246936 | Strain Relief SR-6W-1 (CEE) | 2-7-8 | 1 |

8 ILLUSTRATION OF MECH ASSEMBLY BLOCK



8) MECH ASSEMBLY BLOCK

| Ref. No. | Parts No. | Description | Schematic No. | Q'ty | Ref. No. | Parts No. | Description | Schematic No. | Q'ty |
|-----------------------------------|-----------|--------------------------------|---------------|------|----------|-----------|----------------------------------|---------------|------|
| PINCH ROLLER PLUNGER BLOCK | | | | | | | | | |
| 8-1x | BZ637918 | Pinch Roller Plunger Block | Comp | 1 | 8-61x | ZW413278 | Nut M5 | | 1 |
| 8-2 | ML300809 | Pinch Roller Arm w/shaft | TE | 1 | 8-62 | MC638684 | Counter MP490-23 | 9-1-43 | 1 |
| 8-3 | MZ580781 | Pinch Roller Arm Joint, w/pin | TD-2079 | 1 | 8-63x | MZ643443 | Counter Base | TE-2011 | 1 |
| 8-4 | ZW345442 | Washer (Nylon) D4.2x9x1t | | 1 | 8-64 | MZ582030 | Spring Hanger | TD-1018 | 2 |
| 8-5x | MH533913 | Connecting Pin | TW-2010 | 1 | 8-65 | ML580127 | Middle Pulley Base | TD-1050 | 1 |
| 8-6x | ZW270088 | 'E' Ring 1.9M | 6-1-9 | 2 | 8-66x | MS580116 | Middle Pulley Shaft | TD-1049 | 1 |
| 8-7 | MZ802980 | Spring Holder | RD-276 | 2 | 8-67 | ZW259773 | Washer (Nylon) D4.1x7x0.5t | | 1 |
| 8-8 | ZG428927 | Pinch Roller Cramp Spring B | KD-1032 | 1 | 8-68 | MR580105 | Middle Pulley, w/metal | TD-1048 | 1 |
| 8-9 | EPS73658 | Plunger Solenoid 1660THT-3 | 44-1-66 | 1 | 8-69 | ZW259738 | Washer (Polyslider) D4.1x7x0.25t | | 1 |
| 8-10 | MZ581275 | PK Plunger Bracket | TD-1061 | 1 | 8-70 | ZW290283 | 'U' Ring 2.85M | 6-1-1 | 7 |
| 8-11 | ZS323728 | Screw, binding head 3x5 | | 2 | 8-71 | MB580138 | Counter Belt D73x1.5 | TD-1051 | 1 |
| 8-12 | MS582153 | Pinch Roller Shaft | TD-1033 | 1 | 8-72x | ES250064 | Micro SW. V-1A44 U/L | 25-1-7 | 1 |
| 8-13 | ZW416698 | Nut M4 | | 6 | 8-73x | MZ402377 | Micro Insulator D | KD-2050 | 1 |
| PAUSE SWITCH BLOCK | | | | | | | | | |
| 8-14 | BS637920 | Pause Switch Block Comp. | TE | 1 | 8-74x | ZS483502 | Screw, pan head 3x13 | | 2 |
| 8-15 | ES389700 | Micro SW. SS-5 | 25-1-19 | 2 | 8-75 | MZ636985 | Shifter Plate, w/pin B | TD-1028 | 1 |
| 8-16 | MZ605283 | SW. Actuator | CW-1060 | 1 | 8-76 | ZW580173 | Guide Washer | TD-1055 | 3 |
| OPERATION BLOCK | | | | | | | | | |
| 8-17x | BZ637953 | Operation Block Comp. | TE | 1 | 8-77 | ZW420682 | Washer (Nylon) D4.2x9x0.5t | | 3 |
| 8-18 | MZ640675 | Operation Bracket | TE-2023 | 1 | 8-78 | ZG582131 | Shifter Spring | TD-1030 | 1 |
| 8-19 | ML630887 | Operation Lever | MY-2202 | 5 | 8-79 | ZS243516 | Screw, pinch roller | XR-140 | 1 |
| 8-20 | ZG456120 | Setting Lever Spring | CS-1187 | 5 | 8-80 | ZG580770 | Pinch Roller Spring | TD-2078 | 1 |
| 8-21 | MZ640383 | Operation Holder | TE-2025 | 1 | 8-81 | ML646198 | Shifter Lever, w/pin | TE-1006 | 1 |
| 8-22x | ZS325495 | Tapping Screw #2 3x6 | | 6 | 8-82 | ML582096 | Shifter Lever B | TD-1025 | 1 |
| 8-23x | EZ640686 | P.C Board Support A | TE-2024 | 1 | 8-83 | ML643847 | Spring Lever | TE-1005 | 1 |
| 8-24x | EZ640372 | P.C Board Support B | TE-2024 | 1 | 8-84 | MZ582120 | Connecting Bar | TD-1029 | 1 |
| 8-25x | ZS609298 | Screw, flat fillister head 3x6 | | 5 | 8-85 | MZ643454 | Shifter Lock Arm A | TE-2012 | 1 |
| 8-26x | ZW273802 | Toothed Lock Washer M3 | | 5 | 8-86 | ZW403200 | Washer (SPC) D6.2x13x1t | | 1 |
| 8-27 | ZW516611 | Nut M3 | | 13 | 8-87 | MZ643465 | Shifter Lock Arm B, w/prop | TE-2013 | 1 |
| 8-28x | SB643500 | Button A | TE-2017 | 1 | 8-88 | MZ580061 | Shifter Rock Collar | TD-1044 | 1 |
| 8-29 | SB643577 | Button B | TE-2017 | 2 | 8-89 | ZW270088 | 'E' Ring 1.9M | 6-1-9 | 1 |
| 8-30x | SB640732 | Button C | TE-2017 | 1 | 8-90 | ZW270123 | 'E' Ring 4M | 6-1-9 | 1 |
| 8-31x | SB640743 | Button D | TE-2017 | 1 | 8-91 | ZG315011 | Brake Lever Spring | MR-116 | 1 |
| LEVER SWITCH BLOCK | | | | | | | | | |
| 8-32 | BS637997 | Lever Switch Block Comp. | TE | 1 | 8-92 | MB527556 | Counter Belt D93x1.5 | ND-1022 | 1 |
| 8-33x | BS660227 | Lever Switch Block Comp. (CEE) | TE | 1 | 8-93x | ZG540090 | Brake Lever Spring | TW-1058 | 2 |
| 8-34x | BS660238 | Lever Switch Block Comp. (CSA) | TE | 1 | 8-94 | MP582164 | Pinch Roller D=42 | TD-1034 | 1 |
| 8-35x | BS660240 | Lever Switch Block Comp. (JPN) | TE | 1 | 8-95 | ZW430402 | Washer (Nylon) D6.2x10x0.5t | | 1 |
| 8-36 | MZ643522 | SW. Plate | TE-2019 | 1 | 8-96 | ZW648685 | Washer D6.2x10x0.1t | | 2 |
| 8-37 | ES563387 | Leaf SW. BSW-1A | 25-10-19 | 1 | 8-97 | ZS533766 | Pinch Roller Screw | TW-1042 | 1 |
| 8-38 | ES479496 | Slide SW. S-2 | 25-3-67 | 1 | 8-98 | ZS422076 | Screw, pan head 3x5 | | 2 |
| 8-39x | ES661860 | Slide SW. JE1 (CEE) | 25-3-63 | 1 | 8-99 | ZS417216 | Screw, pan head 3x4 | | 2 |
| 8-40 | ES422436 | Slide SW. SL-222B4C | 25-3-40 | 1 | 8-100 | SK638976 | Knob 1-C | CP-5018 | 4 |
| 8-41 | ES479485 | Slide SW. S-1 | 25-3-66 | 1 | | | | | |
| 8-42x | ES642677 | Slide SW. JE08 (CEE) | 25-3-116 | 1 | | | | | |
| 8-43x | ES641068 | Slide SW. JE06 (CSA,JPN) | 25-3-114 | 1 | | | | | |
| MECH. ASSEMBLY BLOCK | | | | | | | | | |
| 8-44x | ML581883 | Shifter Stopper | TD-1002 | 2 | | | | | |
| 8-45 | MZ810191 | Cushion Rubber, RD | RD-278 | 1 | | | | | |
| 8-46x | MH581894 | Head Base Prop | TD-1003 | 3 | | | | | |
| 8-47x | ZS413201 | Screw, pan head 4x8 | | 3 | | | | | |
| 8-48 | MB606712 | Stopper Rubber KJ | KJ-2060 | 1 | | | | | |
| 8-49x | MH581940 | Shifter Lever Post A | TD-1008 | 1 | | | | | |
| 8-50x | MH581927 | Shifter Guide Post | TD-1006 | 3 | | | | | |
| 8-51x | MH581951 | Spring Lever Post | TD-1010 | 1 | | | | | |
| 8-52x | MH581962 | Shifter Lever Post B | TD-1011 | 1 | | | | | |
| 8-53x | MH581973 | Brake Lever Post A | TD-1012 | 1 | | | | | |
| 8-54x | MH581984 | Brake Lever Post B | TD-1013 | 1 | | | | | |
| 8-55x | MH580691 | Actuator Prop | TD-2069 | 1 | | | | | |
| 8-56x | MH640350 | Shifter Lock Arm Prop | TE-1003 | 1 | | | | | |
| 8-57x | MH642565 | Prop | TE-1002 | 3 | | | | | |
| 8-58 | ZS379350 | ISO Screw, pan head 3x6 | | 11 | | | | | |
| 8-59x | MS397001 | Pinch Roller Arm Shaft | KD-1002 | 1 | | | | | |
| 8-60x | ZW664841 | Washer D8.1x13x0.3t | | 1 | | | | | |

9) P.B P.C BOARD (MY-5017) BLOCK

| Symbol No. | Parts No. | Description | Q'ty |
|---------------------------------|-----------|---|------|
| 9-1 | BA622732 | P.B P.C Board Comp. (MY-5017) | 1 |
| 9-TR1 to 4 | ET234854 | Transistor 2SC458LG(C) | 8 |
| 9-TR5,6 | ET639437 | Transistor 2SC945L(Q)(P) | 4 |
| 9-D1 | ED570475 | Zener Diode WZ-075 | 2 |
| 9-D2 | ED219464 | Germanium Diode 1N34A | 2 |
| 9-L1 | EO496361 | Inductor 6070GE 23MH(J) | 2 |
| 9-T1 | BT517274 | Headphone Trans. N16-535S | 2 |
| 9-VR1 | EV464220 | Semi-fixed/Vol. V8K4-1 50 kB | 2 |
| 9-VR2 | EV622056 | Co-axial 2-throw Vol. V24L5GPHN B10kx2 | 1 |
| 9-VR3 | EV464196 | Semi-fixed/Vol. V8K4-1 2 kB | 2 |
| Capacitor, Vertical Type | | | |
| 9-C1 | EC220678 | Elect. 47μF 25WV | 2 |
| 9-C2 | EC432810 | Elect. 10μF 16WV NL | 2 |
| 9-C3 | EC290520 | VFM 100PF(J) 50WV | 2 |
| 9-C4 | EC467133 | VFM 68PF(J) 50WV | 2 |
| 9-C5 | EC290520 | VFM 100PF(J) 50WV | 2 |
| 9-C6 | EC329771 | Elect. 47μF 6.3WV | 2 |
| 9-C7 | EC320051 | Elect. 10μF 16WV | 2 |
| 9-C8 | EC389485 | Mylar 0.018μF(J) 50WV | 2 |
| 9-C9,10 | EC250683 | Mylar 0.0022μF(J) 50WV | 4 |
| 9-C11 | EC220678 | Elect. 47μF 25WV | 2 |
| 9-C12 | EC329850 | VFM 220PF(J) 50WV | 2 |
| 9-C13 | EC432810 | Elect. 10μF 16WV NL | 2 |
| 9-C14 | EC329771 | Elect. 47μF 6.3WV | 2 |
| 9-C15 | EC399565 | FM 22PF(J) 50WV | 2 |
| 9-C16 | EC290520 | VFM 100PF(J) 50WV | 2 |
| 9-C17 | EC320051 | Elect. 10μF 16WV | 2 |
| 9-C18 | EC220364 | Elect. 100μF 6.3WV | 2 |
| 9-C19 | EC450055 | Elect. 1μF 25WV | 2 |
| 9-C20 | EC320051 | Elect. 10μF 16WV | 2 |
| 9-C21 | EC450527 | Elect. 4.7μF 25WV | 2 |
| 9-C22 | EC329771 | Elect. 47μF 6.3WV | 2 |

Carbon Resistor Omitted

10) REC, OSC P.C BOARD(MY-5016)BLOCK

| Symbol No. | Parts No. | Description | Q'ty |
|---------------------------------|-----------|---|------|
| 10-1 | BA647684 | Rec., Osc. P.C Board Comp. (MY-5016) | 1 |
| 10-2 | BA647842 | Rec., Osc. P.C Board Comp. (MY-5016)(DB) | 1 |
| 10-TR1,2 | ET234854 | Transistor 2SC458LG(C) | 4 |
| 10-TR3,4 | ET234854 | Transistor 2SC458LG(C) | 4 |
| 10-TR5,6,7 | ET639437 | Transistor 2SC945L(Q)(P) | 4 |
| 10-L1 | EO321254 | Ferri Inductor FL7H 5.6MH(J) | 2 |
| 10-L2 | EO383365 | OSC. Coil OT-204 | 1 |
| 10-VR1 | EV622078 | Double Vol. V24L5DPHN A50kx2 | 2 |
| 10-VR2 | EV520806 | Semi-fixed/Vol. V8K4-1 10 kB | 2 |
| 10-R39 | ER515070 | Metal Oxide Film/R. 2W 150 ohm(K) | 1 |
| 10-R40 | ER426892 | Solid/R. RC1/2 2.4k(J) | 1 |
| Capacitor, Vertical Type | | | |
| 10-C1 | EC290520 | VFM 100PF(J) 50WV | 2 |
| 10-C2 | EC220678 | Elect. 47μF 25WV | 2 |
| 10-C3 | EC432810 | Elect. 10μF 16WV NL | 2 |
| 10-C4 | EC290520 | VFM 100PF(J) 50WV | 2 |
| 10-C5 | EC220364 | Elect. 100μF 6.3WV | 2 |
| 10-C6,7 | EC399565 | FM 22PF(J) 50WV | 4 |
| 10-C8 | EC320051 | Elect. 10μF 16WV | 2 |
| 10-C9 | EC329771 | Elect. 47μF 6.3WV | 2 |
| 10-C10 | EC377212 | VFM 47PF(J) 50WV | 2 |
| 10-C11 | EC320051 | Elect. 10μF 16WV | 2 |
| 10-C12 | EC220678 | Elect. 47μF 25WV | 2 |
| 10-C13 | EC329771 | Elect. 47μF 6.3WV | 2 |
| 10-C14 | EC399565 | FM 22PF(J) 50WV | 2 |
| 10-C15 | EC290520 | VFM 100PF(J) 50WV | 2 |

| Symbol No. | Parts No. | Description | Q'ty |
|------------|-----------|------------------------|------|
| 10-C16 | EC438041 | Mylar 0.082μF(J) 50WV | 2 |
| 10-C17 | EC320051 | Elect. 10μF 16WV | 2 |
| 10-C18 | EC329771 | Elect. 47μF 6.3WV | 2 |
| 10-C19 | EC368357 | Mylar 0.056μF(J) 50WV | 2 |
| 10-C20 | EC220151 | Elect. 100μF 25WV | 2 |
| 10-C21 | EC320051 | Elect. 10μF 16WV | 2 |
| 10-C22 | EC220994 | Elect. 10μF 25WV | 2 |
| 10-C23 | EC405898 | Styrol 470PF(J) 50WV | 2 |
| 10-C24 | EC250841 | Mylar 0.01μF(J) 50WV | 2 |
| 10-C25 | EC558202 | Trimmer TM-80A 80PF | 2 |
| 10-C26 | EC558235 | Styrol 1800PF(J) 250WV | 1 |
| 10-C27,28 | EC250975 | Mylar 0.015μF(J) 50WV | 2 |
| 10-C29 | EC220612 | Elect. 33μF 25WV. | 1 |

Carbon Resistor Omitted

11) DOLBY P.C BOARD (TD-5301) BLOCK

| Symbol No. | Parts No. | Description | Q'ty |
|---------------------------------|-----------|------------------------------------|------|
| 11-1 | BA588003 | Dolby P.C Board Comp. (TD-5301) | 1 |
| 11-TR1 | ET234854 | Transistor 2SC458LG(C) | 2 |
| 11-TR2 | ET329218 | Transistor 2SC458(C) | 2 |
| 11-TR3 | ET352146 | Transistor 2SC458LG(D) | 2 |
| 11-TR4 | ET329218 | Transistor 2SC458(C) | 2 |
| 11-TR5 | ET491051 | FET 2SK30A(GR) | 2 |
| 11-TR6 | ET234854 | Transistor 2SC458LG(C) | 2 |
| 11-TR7 | ET350335 | Transistor 2SA564(Q) | 2 |
| 11-TR8 | ET329218 | Transistor 2SC458(C) | 2 |
| 11-D1 | ED219464 | Germanium Diode 1N34A | 2 |
| 11-D2 | ED491130 | Zener Diode WZ-083 | 2 |
| 11-D3,4 | ED560913 | Silicon Diode 1S2473 VE | 4 |
| 11-D5 | ED219464 | Germanium Diode 1N34A | 2 |
| 11-D6 | ED560913 | Silicon Diode 1S2473 VE | 2 |
| 11-VR1 | EV478686 | Semi-fixed/Vol. V8K4-1 1 kB | 2 |
| 11-BR2 | EV464207 | Semi-fixed/Vol. V8K4-1 5 kB | 2 |
| 11-L1 | EO496350 | Inductor 146LY 36 MH(J) | 2 |
| 11-2 | EJ363126 | P.C Board Terminal | 2 |
| Capacitor, Vertical Type | | | |
| 11-C1 | EC320051 | Elect. 10μF 16WV | 2 |
| 11-C2 | EC350875 | Mylar 0.001μF(J) 50WV | 2 |
| 11-C3 | EC336194 | VFM 270PF(J) 50WV | 2 |
| 11-C4,5 | EC320051 | Elect. 10μF 16WV | 4 |
| 11-C6 | EC320051 | Elect. 10μF 16WV | 2 |
| 11-C7 | EC313121 | Elect. 220μF 25WV | 2 |
| 11-C8 | EC329883 | Mylar 0.0056μF(J) 50WV | 2 |
| 11-C9 | EC329861 | Mylar 0.027μF(J) 50WV | 2 |
| 11-C10 | EC337500 | Mylar 0.0047μF(J) 50WV | 2 |
| 11-C11 | EC320051 | Elect. 10μF 16WV | 2 |
| 11-C12 | EC379170 | Mylar 0.1μF(J) 50WV | 2 |
| 11-C13 | EC320040 | Elect. 47μF 16WV | 2 |
| 11-C14 | EC290520 | VFM 100PF(J) 50WV | 2 |
| 11-C15 | EC320051 | Elect. 10μF 16WV | 2 |
| 11-C16 | EC379170 | Mylar 0.1μF(J) 50WV | 2 |
| 11-C17 | EC320051 | Elect. 10μF 16WV | 2 |
| 11-C18 | EC379170 | Mylar 0.1μF(J) 50WV | 2 |
| 11-C19 | EC379170 | Mylar 0.1μF(J) 50WV | 2 |
| 11-C20 | EC395504 | Mylar 0.33μF(K) 50WV | 2 |

Carbon Resistor Omitted

12) SRT P.C BOARD (TD-5201) BLOCK

| Symbol No. | Parts No. | Description | Q'ty |
|---------------------------------|-----------|--------------------------------------|------|
| 12-1 | BA647796 | SRT P.C Board Comp. (TD-5201) | 1 |
| 12-2 | BA647763 | SRT P.C Board Comp. (TD-5201)(DB) | 1 |
| 12-SW1 | ES550001 | Push SW. 1FS-6U-49 | 1 |
| 12-L1 | EO369178 | Ferri Inductor FL7H 1.5 MH(J) | 2 |
| 12-VR1,2 | EV520806 | Semi-fixed/Vol. V8K4-1 10 kB (DB) | 4 |
| Capacitor, Vertical Type | | | |
| 12-C1 | EC329861 | Mylar 0.027 μ F(J) 50WV | 2 |
| 12-C2 | EC379214 | Mylar 0.047 μ F(J) 50WV | 2 |
| 12-C3 | EC368335 | Mylar 0.022 μ F(J) 50WV | 2 |
| 12-C4 | EC379214 | Mylar 0.047 μ F(J) 50WV | 2 |
| 12-C5 | EC379192 | Mylar 0.039 μ F(J) 50WV | 2 |

Carbon Resistor Omitted

| Symbol No. | Parts No. | Description | Q'ty |
|------------|-----------|--|------|
| 14-6 | EZ615060 | P.C Board Holder B | 1 |
| 14-7 | EZ615071 | P.C Board Holder C | 1 |
| 14-R20 | ER593346 | Cement/R. 2W 330 ohm(K) (Wire-wound Type) | 1 |

Capacitor, Vertical Type

| | | | |
|--------|----------|---------------------------------|---|
| 14-C1 | EC251291 | Mylar 0.1 μ F(K) 50WV | 1 |
| 14-C2 | EC251122 | Mylar 0.027 μ F(K) 50WV | 1 |
| 14-C3 | EC250582 | Mylar 0.0033 μ F(K) 50WV | 1 |
| 14-C4 | EC331828 | Elect. 3.3 μ F 25WV | 1 |
| 14-C5 | EC251122 | Mylar 0.027 μ F(K) 50WV | 1 |
| 14-C6 | EC250582 | Mylar 0.0033 μ F(K) 50WV | 1 |
| 14-C7 | EC311793 | Mylar 0.012 μ F(J) 50WV | 1 |
| 14-C8 | EC557166 | Solid Aluminum 3.3 μ F 25WV | 1 |
| 14-C9 | EC450055 | Elect. 1 μ F 25WV | 1 |
| 14-C10 | EC320051 | Elect. 10 μ F 16WV | 1 |
| 14-C11 | EC220151 | Elect. 100 μ F 25WV | 1 |
| 14-C12 | EC250885 | Mylar 0.01 μ F(K) 50WV | 1 |
| 14-C13 | EC346735 | Elect. 47 μ F 50WV | 1 |

Carbon Resistor Omitted

13) SYS. CON P.C BOARD (TE-2001) BLOCK

| Symbol No. | Parts No. | Description | Q'ty |
|------------|-----------|--|------|
| 13-1 | BA637964 | Sys. Con. P.C Board Comp. (TE-2001) | 1 |
| 13-TR1 | ET639437 | Transistor 2SC945L(Q)(P) | 1 |
| 13-TR2,3 | ET511920 | Transistor 2SC1247A(B)(V) | 2 |
| 13-TR4to6 | ET639437 | Transistor 2SC945L(Q)(P) | 3 |
| 13-TR7 | ET399881 | Transistor 2SC711(F) | 1 |
| 13-TR8to11 | ET639437 | Transistor 2SC945L(Q)(P) | 4 |
| 13-D1to3 | ED560913 | Silicon Diode 1S2473 VE | 3 |
| 13-D4 | ED494583 | Silicon Diode 10D05 | 1 |
| 13-D5to10 | ED560913 | Silicon Diode 1S2473 VE | 6 |
| 13-D11 | ED498150 | Zener Diode WZ-192 | 1 |
| 13-D12,13 | ED560913 | Silicon Diode 1S2473 VE | 2 |
| 13-D14to29 | ED624903 | Silicon Diode 1S2473 | 16 |

Capacitor, Vertical Type

| | | | |
|-------|----------|------------------------------|---|
| 13-C1 | EC459505 | Mylar 0.039 μ F(K) 50WV | 1 |
| 13-C2 | EC350684 | Elect. 22 μ F 25WV | 1 |
| 13-C3 | EC362158 | Mylar 0.0047 μ F(K) 50WV | 1 |
| 13-C4 | EC350684 | Elect. 22 μ F 25WV | 1 |
| 13-C5 | EC220612 | Elect. 33 μ F 25WV | 1 |
| 13-C6 | EC350684 | Elect. 22 μ F 25WV | 1 |
| 13-C7 | EC251087 | Mylar 0.022 μ F(K) 50WV | 1 |
| 13-C8 | EC368256 | Elect. 0.47 μ F 25WV | 1 |

Carbon Resistor Omitted

15) RELAY P.C BOARD (TE-2002) BLOCK

| Symbol No. | Parts No. | Description | Q'ty |
|------------|-----------|---|------|
| 15-1 | BA638021 | Relay P.C Board Comp. (TE-2002) | 1 |
| 15-TR1 | ET537300 | Transistor 2SD361(D)(E) | 1 |
| 15-TR2 | ET511920 | Transistor 2SC1247A(B)(V) | 1 |
| 15-TR3 | ET639437 | Transistor 2SC945L(Q)(P) | 1 |
| 15-TR4 | ET517353 | Transistor 2SC711(E)(G) | 1 |
| 15-D1to5 | ED570273 | Silicon Diode 1N4004 | 5 |
| 15-D6to9 | ED511097 | Silicon Diode 1N4001 | 4 |
| 15-D10 | ED357794 | Zener Diode RD-5A(M) | 1 |
| 15-D11,12 | ED560913 | Silicon Diode 1S2473 VE | 2 |
| 15-D13to16 | ED624903 | Silicon Diode 1S2473 | 4 |
| 15-D17,18 | ED560913 | Silicon Diode 1S2473 VE | 2 |
| 15-CR1to10 | ER450786 | Spark Quencher U/L 0.1 μ +120 ohm 400WV | 10 |
| 15-VR1 | EV498071 | Semi-fixed/Vol. V10K8-1-5 1 kB | 1 |
| 15-RL1 | EP616500 | Relay LC1-C-JT DC24V | 1 |
| 15-RL2 | EP638763 | Relay MY4-0-US DC24V | 1 |
| 15-RL3 | EP616500 | Relay LC1-C-JT DC24V | 1 |
| 15-RL4 | EP638763 | Relay MY4-0-US DC24V | 1 |
| 15-2 | EZ640462 | Relay P.C Board Retaining Part | 1 |
| 15-3 | ZS325495 | Tapping Screw #2 3x6 | 6 |
| 15-4 | EZ640642 | Relay P.C Board Retaining Part B | 1 |
| 15-5 | ZS421806 | Screw, pan head 3x8 | 1 |
| 15-6 | ZW516993 | Nut M3 | 1 |
| 15-R1 | ER535948 | Cement/R. 5W 10 ohm(K) (Wire-wound Type) | 1 |
| 15-R3 | ER563354 | Cement/R. 15W 430 ohm(K) (Metal OX. Film Type) | 1 |
| 15-R4 | ER641261 | Cement/R. 20W 43 ohm(K) (Wire-wound Type) | 1 |
| 15-R5 | ER573524 | Cement/R. 10W 150 ohm(K) (Wire-wound Type) | 1 |
| 15-R20 | ER372082 | Cement/R. 2W 100 ohm(K) (Wire-wound Type) | 1 |

Capacitor, Vertical Type

| | | | |
|---------|----------|--|---|
| 15-C1,2 | EC350987 | MP/C. 0.47 μ F(M) 250V DC (Tub. Type) | 2 |
| 15-C3 | EC565345 | Elect. 1000 μ F 50WV | 1 |
| 15-C4 | EC372148 | Elect. 220 μ F 35WV | 1 |
| 15-C5 | EC250918 | Mylar 0.01 μ F(M) 50WV | 1 |
| 15-C6 | EC313121 | Elect. 220 μ F 25WV | 1 |
| 15-C7 | EC331705 | Elect. 22 μ F 16WV | 1 |
| 15-C8,9 | EC220678 | Elect. 47 μ F 25WV | 2 |
| 15-C10 | EC646031 | Elect. 4.7 μ F 160WV (Tub. Type) | 1 |

Carbon Resistor Omitted

14) SERVO P.C BOARD (MY-2036) BLOCK

| Symbol No. | Parts No. | Description | Q'ty |
|------------|-----------|------------------------------------|------|
| 14-1 | BA657167 | Servo P.C Board Comp. (MY-2036) | 1 |
| 14-TR1,2 | ET639437 | Transistor 2SC945(P)(Q) | 2 |
| 14-TR3,4 | ET399846 | Transistor 2SC945(Q) | 2 |
| 14-TR5 | ET538154 | Transistor 2SA564(Q)(R) | 1 |
| 14-TR6 | ET399846 | Transistor 2SC945(Q) | 1 |
| 14-TR7 | ET623867 | Transistor 2SD361(D1)(D2) | 1 |
| 14-TR8 | ET639437 | Transistor 2SC945(P)(Q) | 1 |
| 14-D1 | ED557447 | Silicon Diode 1S1588 | 1 |
| 14-D2to5 | ED224548 | Silicon Diode 10D2 | 4 |
| 14-TH1 | ED593357 | Thermister 34D21 | 1 |
| 14-VR1 | EV621955 | Semi-fixed/Vol. V10K8-1-5 B10K | 1 |
| 14-VR2 | EV621966 | Semi-fixed/Vol. V10K8-1-5 B30K | 1 |
| 14-2 | ZS421806 | Screw, pan head 3x8 | 1 |
| 14-3 | ZW273756 | Nut M3 | 1 |
| 14-4 | EZ615047 | Heat-sink Plate A | 1 |
| 14-5 | ZS422076 | Screw, pan head 3x5 | 6 |

16) REC MODE P.C BOARD(TE-5003)BLOCK

| Symbol No. | Parts No. | Description | Q'ty |
|------------|-----------|--|------|
| 16-1 | BZ647831 | Rec. Mode P.C Board Comp. (TE-5003) | 1 |
| 16-D1 | ED624903 | Silicon Diode 1S2473 | 1 |
| 16-SW3 | ES640541 | Push SW. 2FT-0014FF1320 | 1 |
| 16-RL1 | EP383321 | Relay TECK-36 DC22V 1000 ohm | 1 |
| 16L1,2 | EO390622 | Ferri Inductor FL9H 220μH(K) | 2 |
| 16-2 | EZ640451 | SW. Shield | 1 |
| 16-3 | ZS379350 | ISO Screw, pan head 3x6 | 1 |
| 16-4 | ZW516611 | Nut M3 | 1 |
| 16-5 | ZW273802 | Toothed Lock Washer M3 | 1 |

17) SPEED SWITCH P.C BOARD (TE-5001) BLOCK

| Symbol No. | Parts No. | Description | Q'ty |
|-------------------------|---------------------|---|------|
| 17-1 | BA647717 | Speed Switch P.C Board Comp. (TE-5001) | 1 |
| 17-SW2 | ES640552 | Slide SW. SSA06207 | 1 |
| 17-L1 | EO379923 | Ferri Inductor FL7H 8.2 MH(J) | 2 |
| 17-2 | MZ640618 | Equalizer Bracket | 1 |
| 17-3 | ZS432843 | Screw, pan head 2.6x4 | 2 |
| 17-C1 | EC250841 | Mylar/C. 0.01μF(J) 50WV (Vert. Type) | 2 |
| Carbon Resistor Omitted | | | |

2. GX-630D/DB

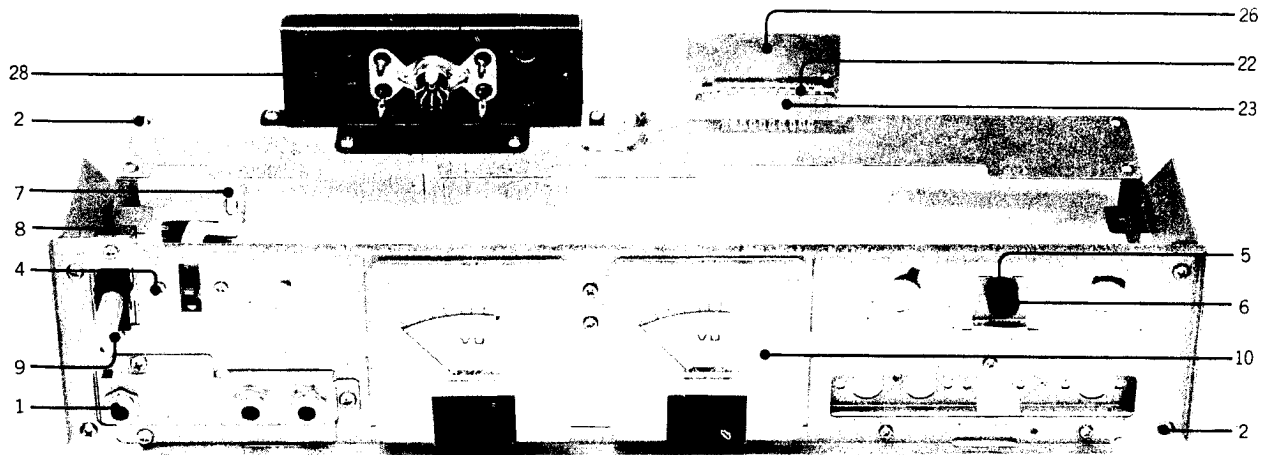
Name and parts number of Speed Switch P.C Board changed as follows:

Speed Switch P.C Board Comp. TE-5001 BA647717

changed to

Speed Switch Block Comp. TE-5001 BS647717

18 PHOTO OF AMP ASSEMBLY BLOCK

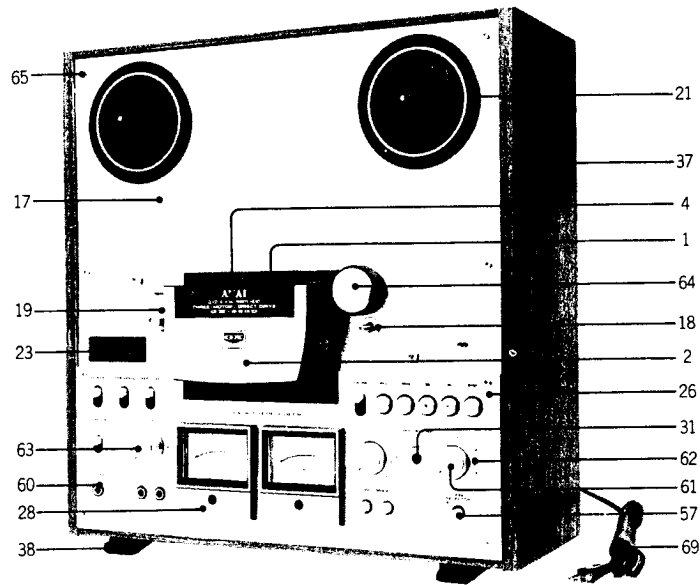


18) AMP ASSEMBLY BLOCK

| Ref. No. | Parts No. | Description | Schematic No. | Q'ty |
|----------------------------|-----------|--|---------------|------|
| FRONT CHASSIS BLOCK | | | | |
| 18-1 | EJ655830 | 3-throw Jack C | 31-2-69 | 1 |
| 18-2 | ZS325495 | Tapping Screw #2 3x6 | | 12 |
| 18-3x | MZ640405 | SW. Retaining Plate | TE-5007 | 1 |
| 18-4 | ZS422076 | Screw, pan head 3x5 | | 2 |
| 18-5 | EZ586326 | Lamp Holder | LF-5324 | 1 |
| 18-6 | EL639472 | Lamp 24V 35MA(190M/Mx2) | | 1 |
| | | (Read Type) | 28-2-24 | 1 |
| 18-7 | MZ640945 | Connecting Plate B | TE-5009 | 1 |
| 18-8 | ES641283 | Lever SW. S-J6399 | 25-12-21 | 1 |
| 18-9 | ZS379350 | ISO Screw, pan head 3x6 | | 4 |
| 18-10 | EM573748 | VU Meter KL-280B-28 (Yellow) | 46-1-86 | 2 |
| 18-11x | MZ659632 | Meter Mask | TE-5027 | 2 |
| 18-12x | ZG290878 | VU Meter Spring | DX-504 | 4 |
| 18-13x | ZW516611 | Nut M3 | | 4 |
| 18-14x | EZ640620 | P.C Board Holder | TE-5011 | 1 |
| 18-15x | ES573671 | Push SW. 1FST-6U-122-3 (DB) | 25-5-119 | 1 |
| 18-16x | ZS422076 | Screw, pan head 3x5 (DB) | | 2 |
| 18-17x | EA640438 | Dolby Lamp P.C Board (DB) | TE-5004 | 1 |
| 18-18x | EL619064 | Lamp 24V 35MA (DB) | 28-2-40 | 1 |
| 18-19x | ZS325495 | Tapping Scres #2 3x6 | | 1 |
| REAR CHASSIS BLOCK | | | | |
| 18-20x | MZ640574 | Amp. Side Plate A | TE-5012 | 1 |
| 18-21x | MZ640585 | Amp. Side Plate B | TE-5012 | 1 |
| 18-22 | EJ292961 | Multi-jack 10P 500-010-005 | 31-4-4 | 1 |
| 18-23 | EZ530021 | Jack Nut Plate | ND-5052 | 1 |
| 18-24x | ZS462947 | Screw, pan head 2.3x12 | | 2 |
| 18-25x | ZW273881 | Earth Lug M4 | | 1 |
| 18-26 | EZ655942 | MJJack Shield | TE-5017 | 1 |
| JACK PLATE BLOCK | | | | |
| 18-27x | BJ647728 | Jack Plate Block Comp. | | 1 |
| 18-28 | EJ624104 | Jack Plate J-2 | 31-5-121 | 1 |
| 18-29x | EA628222 | P.C Board for Jack | LE-5622 | 1 |
| 18-30x | ER440921 | Carbon/R. RD1/4 27k(J) (Insu. Type) | 35-9-5 | 2 |

| Ref. No. | Parts No. | Description | Schematic No. | Q'ty |
|---------------------------|-----------|---|---------------|------|
| 18-31x | ER214290 | Carbon/R. RD1/4 4.7k(J) (Insu. Type) | 35-9-5 | 2 |
| 18-32x | ER345677 | Carbon/R. RD1/4 15k(J) (Insu. Type) | 35-9-5 | 2 |
| 18-33x | ER324685 | Carbon/R. RD1/4 33k(J) | 35-9-5 | 2 |
| AMP ASSEMBLY BLOCK | | | | |
| 18-34x | EJ639112 | 9P Plug Housing 103-3-9P | 42-1-85 | 1 |
| 18-35x | EJ514607 | Wire Clip 220-JD485210-01 (Nylon) | 2-7-18 | 2 |
| 18-36x | EJ510333 | Wire Clip 220-JD481610- 0104 (Nylon) | 2-7-17 | 3 |
| 18-37x | MT553948 | Wire Band B | 2-35-3 | 4 |
| 18-38x | MZ640440 | Jack Plate Holder | TE-5014 | 1 |

19 PHOTO OF FINAL ASSEMBLY BLOCK



19) FINAL ASSEMBLY BLOCK

| Ref. No. | Parts No. | Description | Schematic No. | Q'ty | Ref. No. | Parts No. | Description | Schematic No. | Q'ty |
|-------------------------------|-----------|--|---------------|------|-----------------------------|-----------|----------------------------------|---------------|------|
| HEAD COVER TABLE BLOCK | | | | | CASE BLOCK | | | | |
| 19-1 | SC640991 | Head Cover Base | TE-6007 | 1 | 19-36x | BC647673 | Case Block Comp. | TE | 1 |
| 19-2 | SC643724 | Head Cover | TY-6004 | 1 | 19-37 | BC640978 | Wood Case | TE-6021 | 1 |
| 19-3x | SZ534543 | Cushion Rubber C | TW-6039 | 2 | 19-38 | SA640934 | Square Foot, w/rubber | TE-6020 | 2 |
| 19-4 | SM640956 | Model Name Plate GX-630D | TE-6005 | 1 | 19-39x | ZS200610 | Tapping Screw #1 4x12 (Truss) | | 4 |
| 19-5x | SM640967 | Model Name Plate GX-630DB (DB) | TE-6005 | 1 | 19-40x | SZ480712 | Dust Cover Pin | LE-6024 | 2 |
| 19-6x | MZ640800 | Hinge Bracket | TE-6006 | 1 | FINAL ASSEMBLY BLLCK | | | | |
| 19-7x | MZ598263 | Hinge Angel | KJ-6017 | 1 | 19-41x | SP641024 | Lower Side Plate A | TE-6023 | 1 |
| 19-8x | MV269965 | Steel Ball D4 | | 1 | 19-42x | SP641035 | Lower Side Plate B | TE-6023 | 1 |
| 19-9x | ZG249107 | Ball Retaining Spring | RD-632 | 1 | 19-43x | ZS325495 | Tapping Screw #2 3x6 | | 30 |
| 19-10x | ZW499593 | Set Screw, hexagon socket 5x4 (Flat Point) | | 1 | 19-44x | SP641046 | Upper Side Plate A | TE-6024 | 1 |
| 19-11x | MS597431 | Hinge Shaft | KJ-6015 | 1 | 19-45x | SP641057 | Upper Side Plate B | TE-6024 | 1 |
| 19-12x | SZ597420 | Collar | KJ-6014 | 1 | 19-46x | MZ640877 | Supporting Plate | TE-6025 | 2 |
| 19-13x | ZW420682 | Washer (Nylon) D4.2x9x0.5t | | 1 | 19-47x | ZS417150 | Screw, pan head 4x6 | | 8 |
| 19-14x | ZW270101 | 'E' Ring 3M | 6-1-9 | 2 | 19-48x | SZ529920 | Reinforcement Angle A | ND-6026 | 1 |
| 19-15x | ZS323728 | Screw, binding head 3x5 | | 4 | 19-49x | ZS432674 | Screw, pan head 4x3 | | 1 |
| MECH. PANEL BLOCK | | | | | 19-50x | SA428714 | LM Rubber Foot, w/screw | LM-401 | 4 |
| 19-16x | BZ647662 | Mech. Panel Block Comp. | TE | 1 | 19-51x | ZW324281 | Screw, pan head 4x25 | | 4 |
| 19-17 | SP641237 | Mech. Panel | TE-6001 | 1 | 19-52x | ZW419646 | Washer (SPC) D4.5x9.8x0.5t | | 4 |
| 19-18 | SE640754 | Motor Escutcheon A | TE-6002 | 1 | 19-53x | ZS665550 | Screw, pan head 4x15, w/washer | | 2 |
| 19-19 | MZ640787 | Impedance Roller Collar | TE-6003 | 1 | 19-54x | ZS664345 | Screw, pan head 4x30 w/washer | | 4 |
| 19-20x | MZ640798 | Arm Collar | TE-6004 | 2 | 19-55x | EZ640980 | Amp. Shield | TE-6028 | 1 |
| 19-21 | SE581602 | Reel Table Escutcheon 2 | TD-6021 | 2 | 19-56 | SK638976 | Knob 1-C | CP-5028 | 4 |
| 19-22x | ZW575730 | Speed Nut (P Type) 3 | 6-3-6 | 8 | 19-57 | SK634410 | Push Button Knob J | 91-5051 | 3 |
| 19-23 | SE626951 | Counter Escutcheon | MY-6006 | 1 | 19-58x | EF563681 | Fuse 1A250V | 39-1-56 | 1 |
| AMP. PANEL BLOCK | | | | | 19-59x | ZS411660 | Screw, oval countersunk head 3x6 | | 2 |
| 19-24x | BZ647730 | Amp. Panel Block Comp. | TE | 1 | 19-60 | EZ436217 | Collar For Jack | MC-506 | 3 |
| 19-25x | BZ647741 | Amp. Panel Block Comp. (DB) | TE | 1 | 19-61 | SK640912 | Double Knob (Upper) | TE-6029 | 2 |
| 19-26 | SP641002 | Amp. Panel | TE-6008 | 1 | 19-62 | SK640923 | Double Knob (Lower) | TE-6029 | 2 |
| 19-27x | SP641013 | Amp. Panel (DB) | TE-6008 | 1 | 19-63 | SK640901 | Single Knob | TE-6029 | 1 |
| 19-28 | SE631102 | VU Escutcheon | MY-6205 | 2 | 19-64 | SK645300 | Pinch Roller Cap | TD-6029 | 1 |
| 19-29x | ZS575392 | Screw, pan head 2.6x8 | | 8 | 19-65 | ZS613901 | Panel Screw | CW-6029 | 8 |
| 19-30x | ZW318014 | Washer (BSP) D2.6x4.5x0.4t | | 8 | 19-66x | ZS312221 | Screw, truss head 3x15 (Black) | | 4 |
| 19-31 | SE612055 | Lamp Lens A (Red) | CH-6314 | 1 | 19-67x | SE627120 | Ventilator | MY-6029 | 1 |
| 19-32x | SE639696 | Lamp Lens B-2 (DB) | NE-6005 | 1 | 19-68x | ZS392141 | Tapping Screw #1 3x8 (Truss) | | 2 |
| 19-33x | SE613888 | Button Escutcheon A (DB) | CW-6021 | 4 | 19-69 | EW374894 | AC Cord 3M | 26-3-11 | 1 |
| 19-34x | SE613866 | Button Escutcheon C | CW-6016 | 5 | 19-70x | EW516600 | AC Cord VM-0065 (CEE) | 26-3-21 | 1 |
| 19-35x | TC494267 | Lamp Cover(DB) | CG-2206 | 1 | 19-71x | EW524845 | AC Cord 2.5M (JPN) | 26-3-3 | 1 |

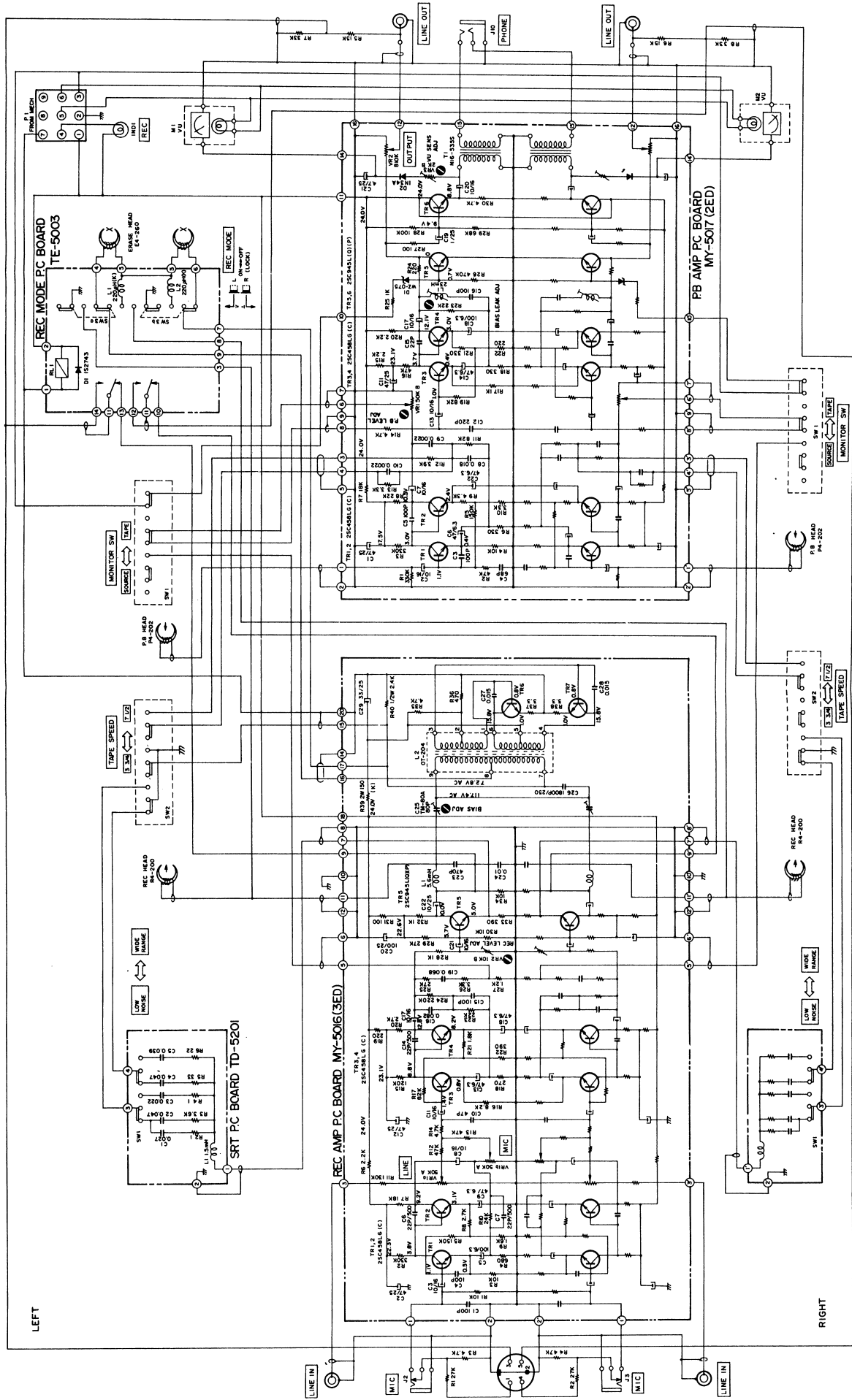
20 LIST OF INTERCHANGEABLE SEMICONDUCTORS

As far as service is concerned, in case the original parts cannot be obtained, the interchangeable parts listed below can be substituted.

| Original Parts | | | Interchangeable Parts | |
|------------------|-----------|---|--|----------------------------------|
| Description | Parts No. | Utilizing P.C Board | Description | Parts No. |
| 2SA564 (Q) | ET350335 | MY-2036 TD-5301 | 2SA733 (Q),(R) 2SA628 (D),(E) 2SA640 (E),(F) | ET538378 ET538110 ET623790 |
| 2SC458 (C) | ET329218 | TD-5301 | 2SC458LG (C) 2SC693U (F) | ET234854 ET315472 |
| 2SC458LG (C) | ET234854 | MY-5016 MY-5017 TD-5301 | 2SC693U (F) 2SC1312R (G),(H) 2SC1312S (G),(H) | ET315472 ET610413 ET603257 |
| 2SC711 (F),(G) | ET398777 | TE-2001 TE-2002 | 2SC536 (E),(F) 2SC945 (E),(F) | ET370607 ET398711 |
| 2SC945L (Q),(P) | ET639437 | MY-2036 MY-5016 MY-5017 TE-2001 TE-2002 | 2SC711 (E),(F) 2SC1647 (R)(S)(E) 2SC1641 (R)(S)(E) | ET453486 ET623733 ET603843 |
| 2SC1247A (B),(V) | ET511920 | TE-2001 TE-2002 | 2SC1211 (D),(E) | ET511694 |
| 2SD361 (D),(E) | ET537000 | TE-2002 | 2SD361 (D1),(D2) 2SC1061 (B),(C) 2SC1449 (K)(L)(H) | ET623867 ET375603 ET635815 |
| TIP47 | ET621775 | | TIP48 | ET621786 |
| 1N34A | ED219464 | MY-5017 | 1N60 | ED428264 |
| 1N4001 | ED511097 | TE-2002 | 10D05 | ED494583 |
| 1S1588 | ED557447 | MY-2036 | 1S2473 WG599 1S2473VE | ED624903 ED514721 ED560913 |
| 1S2473 | ED624903 | TD-5301 | 1S1588 | ED557447 |
| 1S2473VE | ED560913 | TE-2001 TE-2002 | WG599 WG713 | ED514721 ED515790 |

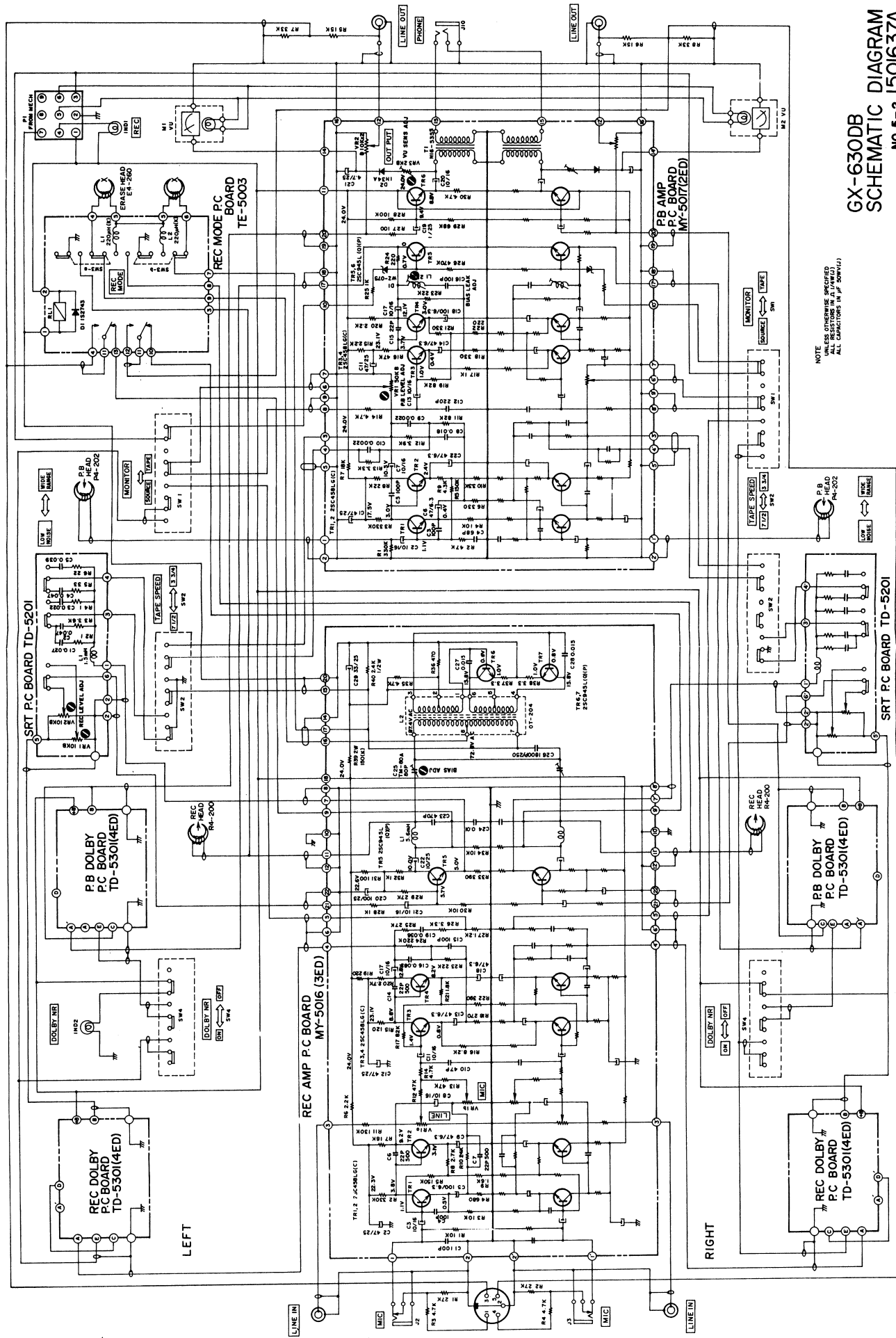
INDEX

| Parts No. | Ref. No. & Symbol No. | Parts No. | Ref. No. & Symbol No. | Parts No. | Ref. No. & Symbol No. | Parts No. | Ref. No. & Symbol No. | Parts No. | Ref. No. & Symbol No. |
|-----------|-----------------------|-----------|-----------------------|-----------|-----------------------|-----------|-----------------------|-----------|-----------------------|
| MZ598263 | 19-7x | GZ580511 | 6-12 | ZW260278 | 3-4 | | | | |
| MZ605283 | 8-16 | ZG580522 | 6-18 | ZW270088 | 3-19 | | | | |
| MZ636985 | 8-75 | ZG580533 | 6-16 | ZW270088 | 5-8 | | | | |
| MZ640383 | 8-21 | ZG580770 | 8-80 | ZW270088 | 8-6x | | | | |
| MZ640405 | 18-3x | ZG582131 | 8-78 | ZW270088 | 8-89 | | | | |
| MZ640440 | 18-38x | ZG586427 | 5-11 | ZW270101 | 9-14x | | | | |
| MZ640574 | 18-20x | ZG659608 | 6-20 | ZW270123 | 8-90 | | | | |
| MZ640585 | 18-21x | ZS200384 | 6-26 | ZW270156 | 3-5 | | | | |
| MZ640618 | 17-2 | ZS200610 | 19-39x | ZW270156 | 6-11 | | | | |
| MZ640664 | 4-25 | ZS243516 | 8-79 | ZW273745 | 1-10x | | | | |
| MZ640675 | 8-18 | ZS312221 | 19-66x | ZW273756 | 6-14 | | | | |
| MZ640787 | 19-19 | ZS323728 | 5-10 | ZW273756 | 14-3 | | | | |
| MZ640798 | 19-20x | ZS323728 | 6-22 | ZW273802 | 8-26x | | | | |
| MZ640800 | 19-6x | ZS323728 | 8-11 | ZW273802 | 16-5 | | | | |
| MZ640877 | 19-46x | ZS323728 | 19-15x | ZW273835 | 1-9 | | | | |
| MZ640945 | 18-7 | ZS325495 | 7-12 | ZW273881 | 1-28 | | | | |
| MZ643375 | 4-2 | ZS325495 | 8-22x | ZW273881 | 7-27x | | | | |
| MZ643408 | 4-7 | ZS325495 | 15-3 | ZW273881 | 18-25x | | | | |
| MZ643443 | 8-63x | ZS325495 | 18-2 | ZW273892 | 7-7x | | | | |
| MZ643454 | 8-85 | ZS325495 | 18-19x | ZW273892 | 7-30x | | | | |
| MZ643465 | 8-87 | ZS325495 | 19-43x | ZW273914 | 1-12 | | | | |
| MZ643498 | 5-2 | ZS327835 | 7-45x | ZW273914 | 7-9x | | | | |
| MZ643522 | 8-36 | ZS355511 | 1-27 | ZW290283 | 5-17 | | | | |
| MZ643858 | 4-21 | ZS355522 | 7-41x | ZW290283 | 6-28 | | | | |
| MZ650046 | 2-7 | ZS379350 | 7-24x | ZW290283 | 8-70 | | | | |
| MZ659632 | 18-11x | ZS379350 | 7-37x | ZW318014 | 19-30x | | | | |
| MZ802980 | 8-7 | ZS379350 | 8-58 | ZW324281 | 19-51x | | | | |
| MZ810191 | 6-23x | ZS379350 | 16-3 | ZW345442 | 8-4 | | | | |
| MZ810191 | 8-45 | ZS379350 | 18-9 | ZW397146 | 5-26 | | | | |
| SA428714 | 19-50x | ZS379405 | 5-22 | ZW403200 | 8-86 | | | | |
| SA640934 | 19-38 | ZS392141 | 19-68x | ZW410051 | 6-17 | | | | |
| SB640732 | 8-30x | ZS394525 | 1-20 | ZW413188 | 7-8x | | | | |
| SB640743 | 8-31x | ZS396000 | 1-17 | ZW413188 | 7-29x | | | | |
| SB643500 | 8-28x | ZS411660 | 4-22 | ZW413256 | 1-18 | | | | |
| SB643577 | 8-29 | ZS411660 | 19-59x | ZW413278 | 8-61x | | | | |
| SC640991 | 19-1 | ZS413155 | 6-31 | ZW416698 | 8-13 | | | | |
| SC643724 | 19-2 | ZS413166 | 5-20x | ZW419646 | 19-52x | | | | |
| SE581602 | 19-21 | ZS413201 | 7-6x | ZW420682 | 8-77 | | | | |
| SE612055 | 19-31 | ZS413201 | 8-47x | ZW420682 | 19-13x | | | | |
| SE613866 | 19-34x | ZS413234 | 2-11 | ZW430402 | 8-95 | | | | |
| SE613888 | 19-13x | ZS413785 | 3-18 | ZW499593 | 19-10x | | | | |
| SE626951 | 19-23 | ZS417137 | 5-15 | ZW510827 | 7-5 | | | | |
| SE627120 | 19-67x | ZS417150 | 7-28x | ZW516611 | 7-50x | | | | |
| SE631102 | 19-28 | ZS417150 | 19-47x | ZW516611 | 8-27 | | | | |
| SE639696 | 19-23x | ZS417216 | 4-14 | ZW516611 | 16-4 | | | | |
| SE640754 | 19-18 | ZS417216 | 8-99 | ZW516611 | 18-13x | | | | |
| SK597633 | 2-4 | ZS421806 | 7-49x | ZW516993 | 15-6 | | | | |
| SK634410 | 19-57 | ZS421806 | 14-2 | ZW535094 | 4-20 | | | | |
| SK638976 | 8-100 | ZS421806 | 15-5 | ZW535094 | 6-25 | | | | |
| SK638976 | 19-56 | ZS422076 | 5-5x | ZW550642 | 6-21 | | | | |
| SK640901 | 19-63 | ZS422076 | 5-24 | ZW556828 | 4-13 | | | | |
| SK640912 | 19-61 | ZS422076 | 7-44x | ZW562476 | 3-20x | | | | |
| SK640923 | 19-62 | ZS422076 | 8-98 | ZW575730 | 19-22x | | | | |
| SK645300 | 19-64 | ZS422076 | 14-5 | ZW575763 | 6-4 | | | | |
| SM640956 | 19-4 | ZS422076 | 18-4 | ZW575774 | 6-15 | | | | |
| SM640967 | 19-5x | ZS422076 | 18-16x | ZW580173 | 8-76 | | | | |
| SP641002 | 19-26 | ZS432674 | 19-49x | ZW580498 | 6-3 | | | | |
| SP641013 | 19-27x | ZS432843 | 17-3 | ZW580678 | 6-13 | | | | |
| SP641024 | 19-41x | ZS435273 | 3-21 | ZW597543 | 2-2 | | | | |
| SP641035 | 19-42x | ZS460438 | 1-23x | ZW597622 | 2-3 | | | | |
| SP641046 | 19-44x | ZS462947 | 18-24x | ZW603764 | 2-14x | | | | |
| SP641057 | 19-45x | ZS481724 | 4-11x | ZW603775 | 2-15x | | | | |
| SP641237 | 19-17 | ZS483502 | 8-74x | ZW603786 | 2-12 | | | | |
| SZ480712 | 19-40x | ZS499331 | 4-6 | ZW603797 | 2-13x | | | | |
| SZ529920 | 19-48x | ZS508354 | 6-30 | ZW603990 | 4-4 | | | | |
| SZ534543 | 19-3x | ZS533766 | 8-97 | ZW648685 | 8-96 | | | | |
| SZ597420 | 19-21x | ZS537006 | 1-5 | ZW655953 | 4-17x | | | | |
| TC387617 | 6-8x | ZS562432 | 1-14 | ZW664841 | 8-60x | | | | |
| TC494267 | 19-35x | ZS575392 | 19-29x | | | | | | |
| ZG249107 | 19-9x | ZS593796 | 4-19 | | | | | | |
| ZG290878 | 18-12x | ZS608354 | 5-27 | | | | | | |
| ZG315011 | 8-91 | ZS609298 | 8-25x | | | | | | |
| ZG317496 | 3-12 | ZS613901 | 19-65 | | | | | | |
| ZG428927 | 8-8 | ZS664345 | 19-54x | | | | | | |
| ZG456120 | 8-20 | ZS665550 | 19-53x | | | | | | |
| ZG466312 | 1-8 | ZW235585 | 4-24 | | | | | | |
| ZG535105 | 4-9 | ZW259738 | 8-69 | | | | | | |
| ZG540090 | 5-23 | ZW259773 | 8-67 | | | | | | |
| ZG540090 | 8-93x | ZW260010 | 4-12 | | | | | | |
| ZG540617 | 3-16 | ZW260256 | 6-5 | | | | | | |



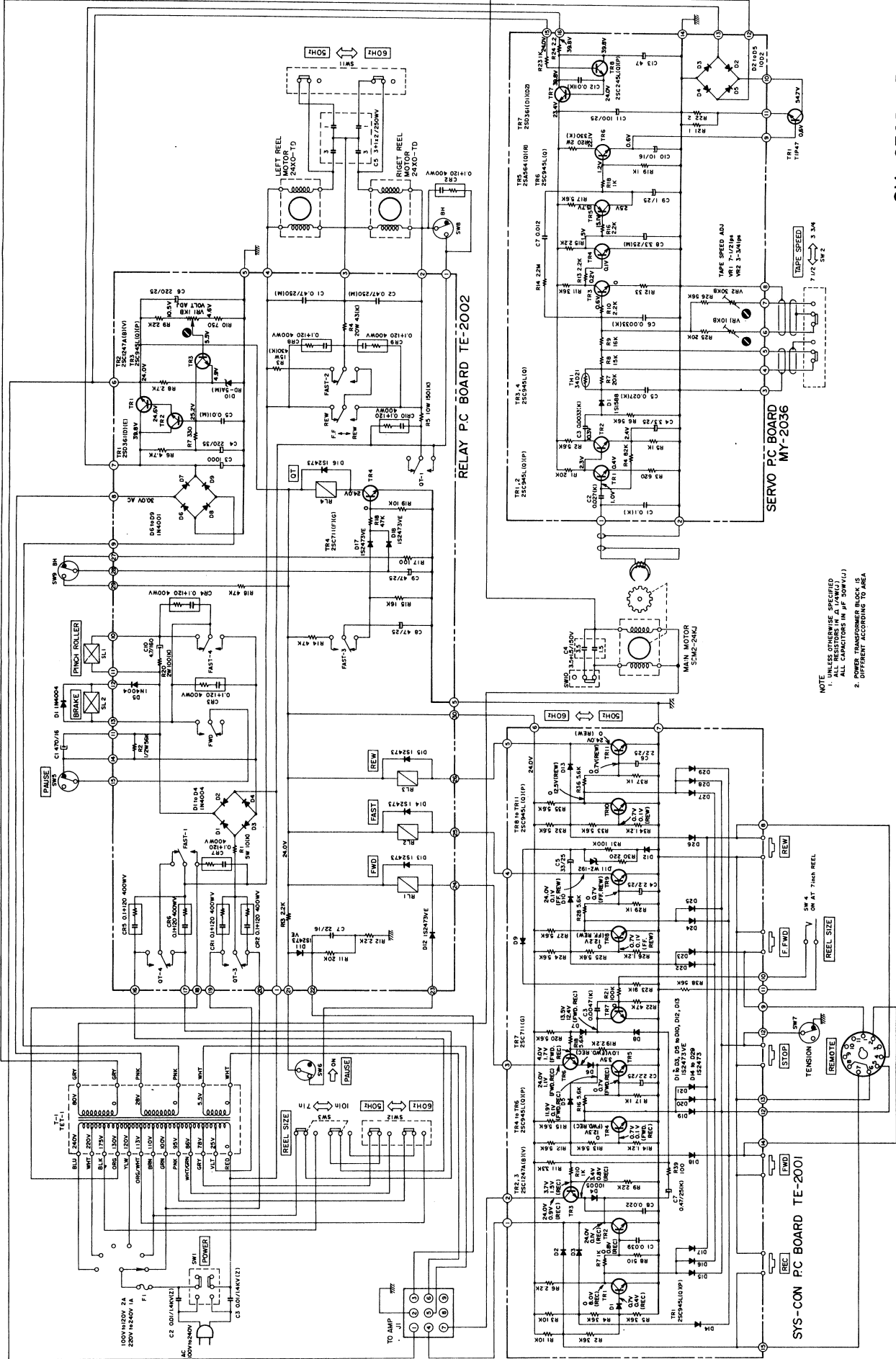
NOTE
UNLESS OTHERWISE SPECIFIED
ALL CAPACITORS IN P.F. 50WV(U)

**GX-6300
SCHEMATIC DIAGRAM
NO. 5-1 1501636A**

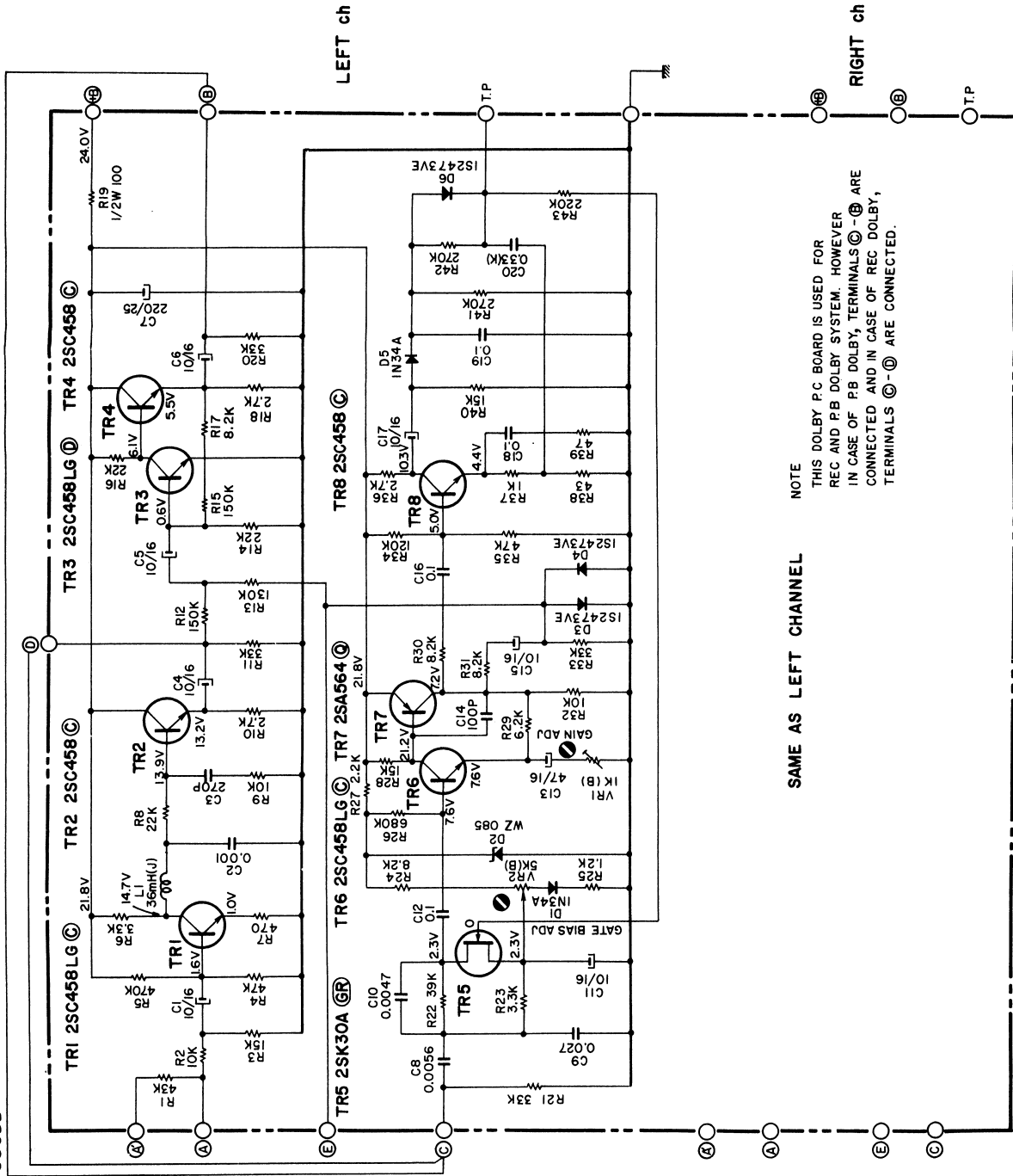


NOTE
 UNLESS OTHERWISE SPECIFIED
 ALL CAPACITORS IN μ F 50WV(5)

GX-630DB
 SCHEMATIC DIAGRAM
 NO. 5-2 1501637A



NOTE
 1. UNLESS OTHERWISE SPECIFIED
 ALL RESISTORS IN Ω (AWG) (1)
 2. POWER RESISTORS IN W (AWG) (1)
 3. DIFFERENT ACCORDING TO AREA



SAME AS LEFT CHANNEL

NOTE

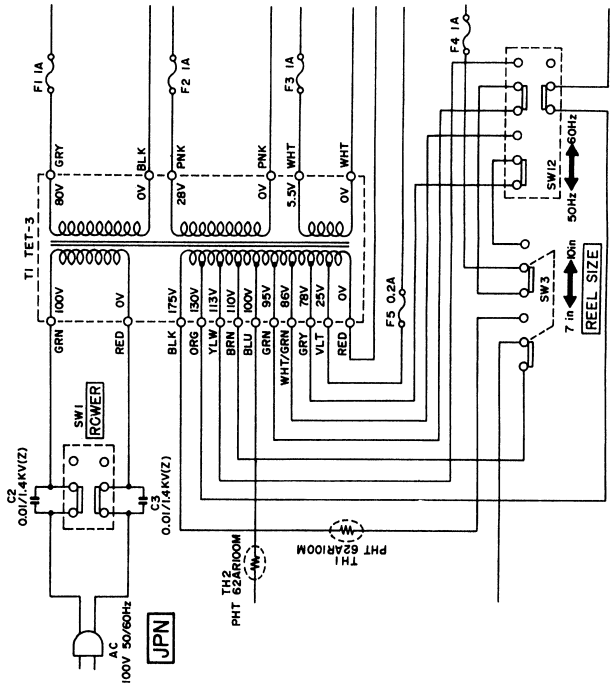
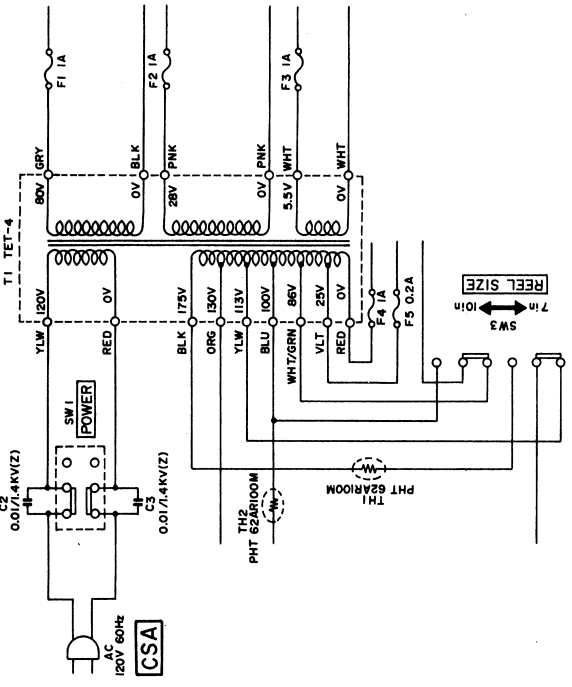
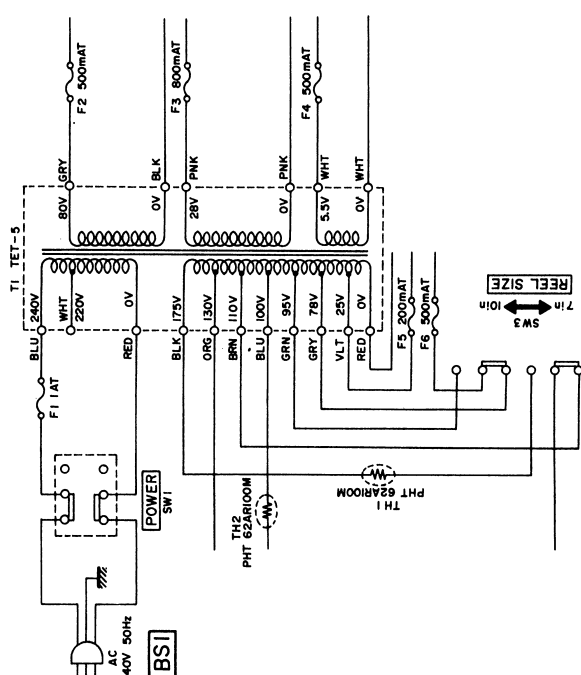
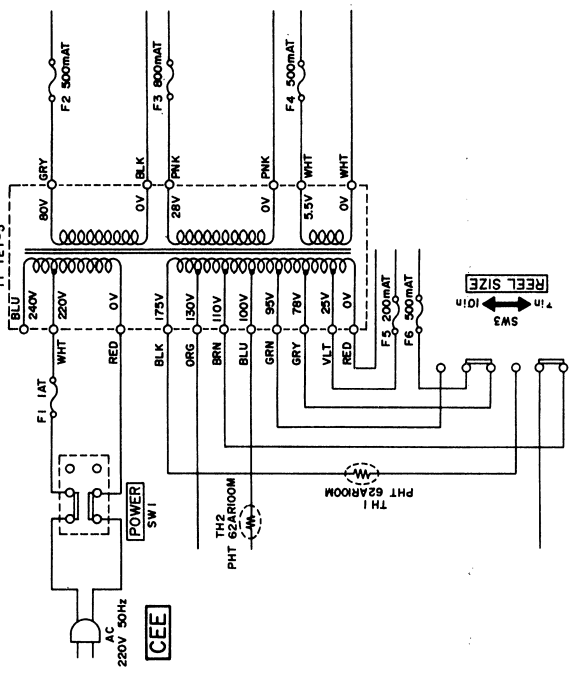
THIS DOLBY P.C BOARD IS USED FOR REC AND P.B DOLBY SYSTEM. HOWEVER IN CASE OF P.B DOLBY, TERMINALS ①-④ ARE CONNECTED AND IN CASE OF REC DOLBY, TERMINALS ⑤-⑧ ARE CONNECTED.

NOTE
UNLESS OTHERWISE SPECIFIED
ALL RESISTORS IN Ω 1/4W(J)
ALL CAPACITORS IN μF 50WV (J)

GX-630DB
SCHEMATIC DIAGRAM
NO.5-4 1501639A

DOLBY P.C BOARD TD-5301 4ED

GX-630D/DB



GX-630D/DB SCHEMATIC DIAGRAM
NO. 5-5 1501640A